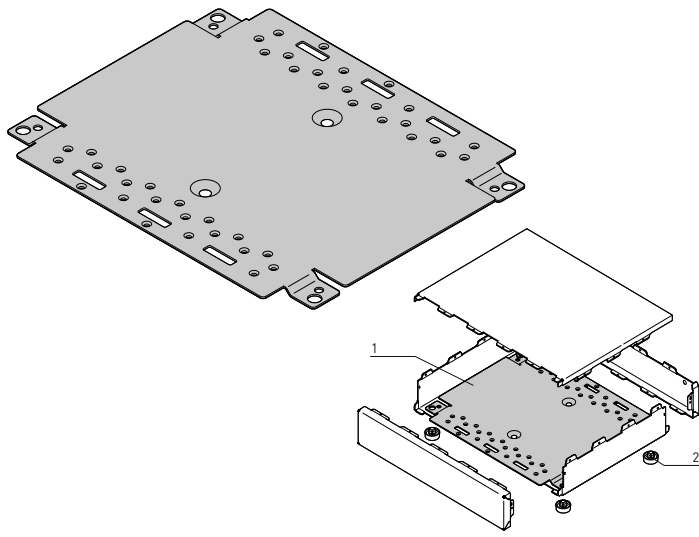


Small Form Factor Cases – Interscale

MOUNTING PLATE



02613058 Illustration shows desktop case 02613052

- Mounting plate (raised 4 mm) for mounting individual components
- Mounting plate fixes into desktop case with 4 plastic feet or into 19" case with 4 screws

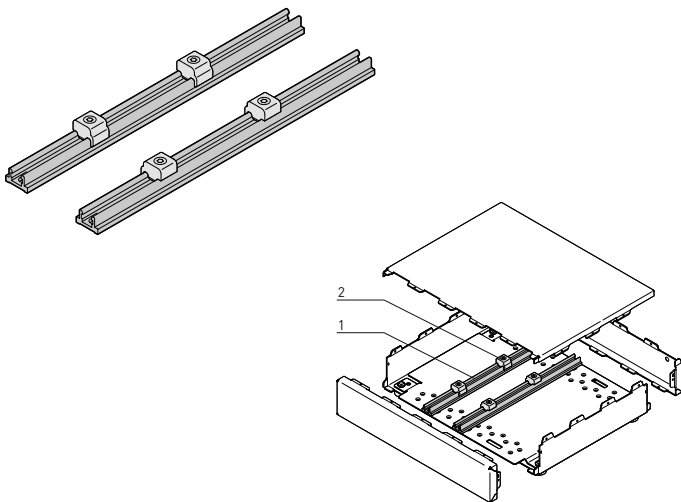
DELIVERY INCLUDES

Item	Qty	Description
1	1	Mounting plate, St, 1 mm, AlZn coated
2a	4	Desktop cases: Plastic foot, PC, UL 94 V-0, black
2b	4	19" case (width 444 mm): Countersunk screw
3	1	Assembly kit and user manual

ORDER INFORMATION

For case width		For case depth		Part no.
mm	mm	mm	mm	
133	133	124.33	128.55	24822-033
133	177	124.33	173.00	24822-034
221	177	213.23	173.00	24822-054
221	221	213.23	217.45	24822-055
310	221	302.13	217.45	24822-075
399	221	391.03	217.45	24822-095
399	310	391.03	306.35	24822-097
444	221	435.48	217.45	24822-005
444	310	435.48	306.35	24822-007

PCB SUPPORT FOR MOUNTING PLATE



02613063 Illustration shows PCB holder mounted on the mounting plate 02613055

- Board support is bolted onto mounting plate
- PCB (board thickness 1.4 ... 2.6 mm) can be positioned flexibly

DELIVERY INCLUDES

Item	Qty	Description
1	2	PCB fastening, Al extrusion, clear anodized, width 13.5 mm, height 8.7 mm, for length see Order Information
2	4	PCB support, Al diecast, clear anodized, for board thickness from 1.4 ... 2.6 mm
3	1	Assembly kit and user manual

ORDER INFORMATION

For case depth		PCB support for mounting plate	Part no.
mm	mm	Length mm	
133	128.55		24827-023
177	173.00		24827-024
221	217.45		24827-025
310	306.35		24827-027