

Small Form Factor Cases – Interscale

MOUNTING PLATE WITH BUILT-IN FAN HOLDER AND FANS

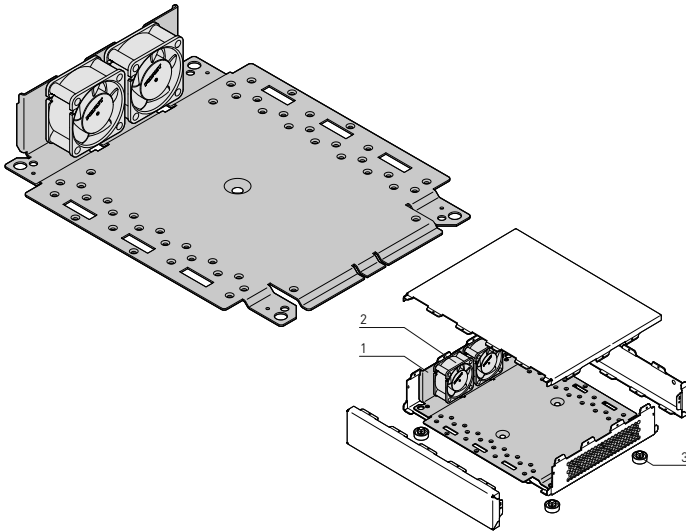


Illustration shows desktop case

- Mounting plate (raised 4 mm) with integrated fan holder including fan kit for perforated case versions
- Fans are simple to fit to the mounting plate using vibration-damping fixing material
- Mounting plate fixes into desktop case with 4 plastic feet or into 19" case with 4 screws

DELIVERY INCLUDES

Item	Qty	Description
1	1	Mounting plate with fan holder, St, 1 mm, AlZn coated
2		For fan size and quantity see Order Information
3a	4	Desktop cases: Plastic foot, PC, UL 94 V-0, black
3b	4	19" case (width 444 mm): Countersunk screw
4	1	Assembly kit and user manual

ORDER INFORMATION

	For case height		For case width		For case depth		Fan holder with fans			Part no.
	U	mm	mm	mm	mm	mm	mm	mm	Number of fans	
Desktop cases	1	44	221	177	41.15	214.95	173.00	40 x 40 x 20	2	24827-154
	1	44	221	221	41.15	214.95	217.45	40 x 40 x 20	3	24827-155
	1	44	310	221	41.15	303.85	217.45	40 x 40 x 20	3	24827-175
	1	44	399	221	41.15	392.75	217.45	40 x 40 x 20	3	24827-195
	1	44	399	310	41.15	392.75	306.35	40 x 40 x 20	5	24827-197
	2	88	221	177	85.60	214.95	173.00	80 x 80 x 25	1	24827-254
	2	88	221	221	85.60	214.95	217.45	80 x 80 x 25	1	24827-255
	2	88	310	221	85.60	303.85	217.45	80 x 80 x 25	1	24827-275
	2	88	399	221	85.60	392.75	217.45	80 x 80 x 25	1	24827-295
	2	88	399	310	85.60	392.75	306.35	80 x 80 x 25	2	24827-297
	3	133	310	221	130.05	303.85	217.45	119 x 119 x 25	1	24827-375
	3	133	399	221	130.05	392.75	217.45	119 x 119 x 25	1	24827-395
19" cases	1	44	444	221	41.15	437.20	217.45	40 x 40 x 20	3	24827-105
	1	44	444	310	41.15	437.20	306.35	40 x 40 x 20	5	24827-107

TECHNICAL DATA OF DC AXIAL FANS



Illustration shows fan with dimensions 119 x 119 x 25 mm

Fan dimensions	40 x 40 x 20 mm	80 x 80 x 25 mm	119 x 119 x 25 mm
Nominal voltage	12 VDC	12 VDC	12 VDC
Airflow volume	10 m ³ /h	69 m ³ /h	170 m ³ /h
Noise level	18 dB(A)	32 dB(A)	43 dB(A)
Power consumption	0.9 W	2 W	5.3 W
Ambient temperature	- 20 ... +70 °C		
Terminal (AWG 28, TR 64, stripped and tin-plated)	Cable length 310 mm		
Approvals	VDE, CSA, UL		

01108005