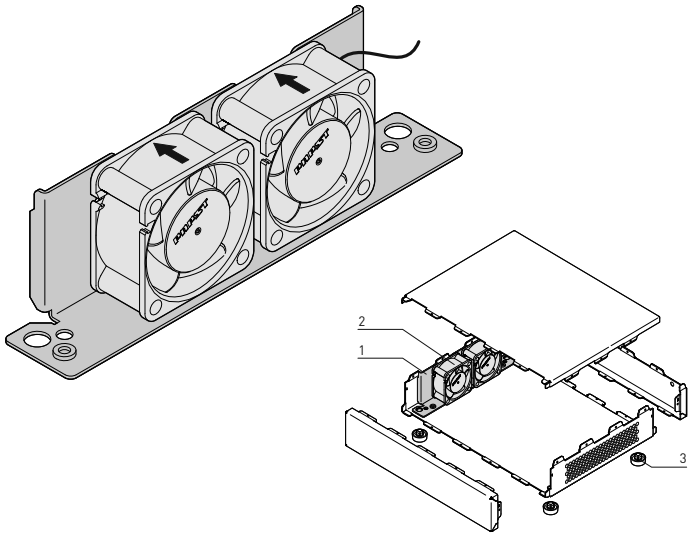


Small Form Factor Cases – Interscale

FAN HOLDER WITH FANS



02613060 Illustration shows desktop case 02613054

- Fan holder for mounting on bottom of case
- Fans are simple to fit to the fan holder using vibration-damping fixing material
- Fan holders fix into desktop case with 2 plastic feet or into 19" case with 2 screws

DELIVERY INCLUDES

Item	Qty	Description
1	1	Fan holder with fan openings, St, 1 mm, AlZn coated
2		For fan size and number see Order Information
3a	4	Desktop cases: Plastic foot, PC, UL 94 V-0, black
3b	2	19" case (width 444 mm): Countersunk screw
4	1	Assembly kit and user manual

ORDER INFORMATION

	For case height		For case width		For case depth		Fan holder with fans			Part no.
	U	mm	mm	mm	Height mm	Width mm	Depth mm	Fan dimensions mm	Number of fans	
Desktop cases	1	44	221	177	41.15	28.50	145.00	40 x 40 x 20	2	24828-104
	1	44	221	221	41.15	28.50	189.45	40 x 40 x 20	3	24828-105
	1	44	310	221	41.15	28.50	189.45	40 x 40 x 20	3	24828-105
	1	44	399	221	41.15	28.50	189.45	40 x 40 x 20	3	24828-105
	1	44	399	310	41.15	28.50	278.35	40 x 40 x 20	5	24828-107
	2	88	221	177	85.60	31.00	145.00	80 x 80 x 25	1	24828-204
	2	88	221	221	85.60	31.00	189.45	80 x 80 x 25	1	24828-205
	2	88	310	221	85.60	31.00	189.45	80 x 80 x 25	1	24828-205
	2	88	399	221	85.60	31.00	189.45	80 x 80 x 25	1	24828-205
	2	88	399	310	85.60	31.00	278.35	80 x 80 x 25	2	24828-207
	3	133	310	221	130.05	31.00	189.45	119 x 119 x 25	1	24828-305
	3	133	399	221	130.05	31.00	189.45	119 x 119 x 25	1	24828-305
19" cases	2	88	444	221	85.60	31.00	189.45	80 x 80 x 25	1	24828-205
	2	88	444	310	85.60	31.00	278.35	80 x 80 x 25	2	24828-207
	3	133	444	221	130.05	31.00	189.45	119 x 119 x 25	1	24828-305
	3	133	444	310	130.05	31.00	278.35	119 x 119 x 25	2	24828-307

NOTE

- Fan holder cannot be used in conjunction with the mounting plate (instead use mounting plate with integrated fan holder)

TECHNICAL DATA OF DC AXIAL FANS



01108005

Fan dimensions	40 x 40 x 20 mm	80 x 80 x 25 mm	119 x 119 x 25 mm
Nominal voltage	12 VDC	12 VDC	12 VDC
Airflow volume	10 m ³ /h	69 m ³ /h	170 m ³ /h
Noise level	18 dB(A)	32 dB(A)	43 dB(A)
Power consumption	0.9 W	2 W	5.3 W
Ambient temperature	- 20 ... +70 °C		
Terminal (AWG 28, TR 64, stripped and tin-plated)	Cable length 310 mm		
Approvals	VDE, CSA, UL		