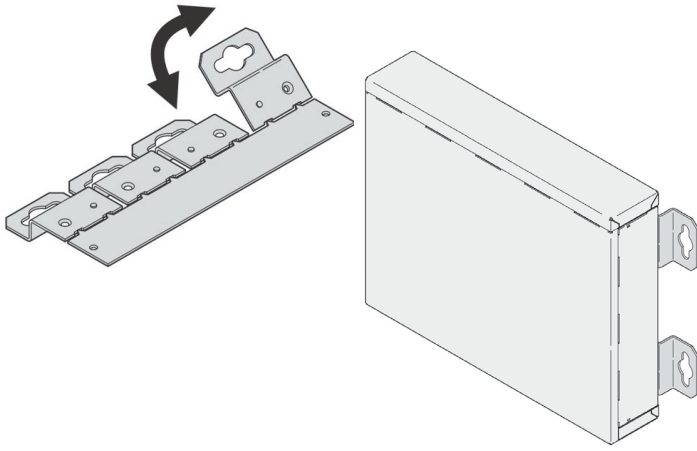


# Small Form Factor Cases – Interscale

## WALL OR DESKTOP MOUNTING BRACKET



02615052 Example: Mounting bracket mounted on the case 02615051

- Bracket for wall or desktop mounting
- Provides 14 mm clearance from mounting surface for cable management
- Able to assemble / disassemble case while mounted

### DELIVERY INCLUDES

Item	Qty	Description
1	4	Mounting bracket, St, 1.5 mm, finish AlZn

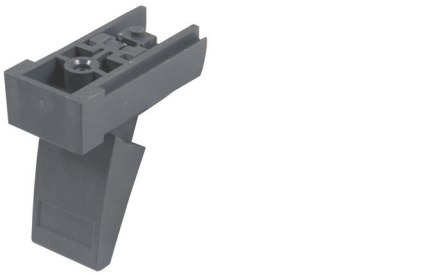
### ORDER INFORMATION

Description	Qty/PU piece	Part no.
Wall or Desktop mounting bracket	4	<b>24820-005</b>

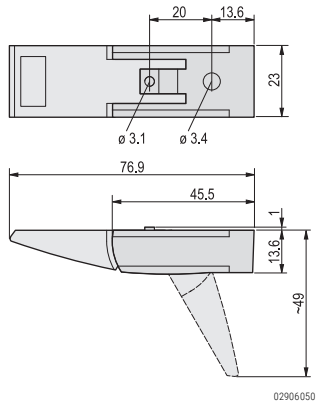
### NOTE

- Not compatible with embedded NUC cases or Interscale 19" cases

## PLASTIC TIP-UP FEET



Application example



- Can be used instead of standard feet
- Carrying capacity: 25 kg per foot
- Mounting holes in bottom of casing

### DELIVERY INCLUDES (kit)

Item	Qty	Description
1	4	Foot, PA, UL 94 V-0
2	4	Anti-slip protection, TPE
3	2	Tip-up device, PA, UL 94 V-0
4	1	Assembly kit

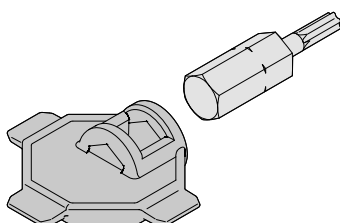
### ORDER INFORMATION

Description	Qty/PU piece	Part no.
Tip-up feet, anthracite, similar to RAL 7016	4	<b>20603-002</b>

### NOTE

- Not compatible with embedded NUC cases or Interscale 19" cases

## ASSEMBLY TOOL



02613064

- Plastic tool with bit can be used for bolting together and opening the case
- Compatible with all Interscale M and C enclosures

### DELIVERY INCLUDES

Item	Qty	Description
1	1	Assembly tool (plastic)
2	1	Bit, Torx, T10

### ORDER INFORMATION

Description	Part no.
Assembly tool	<b>24820-001</b>