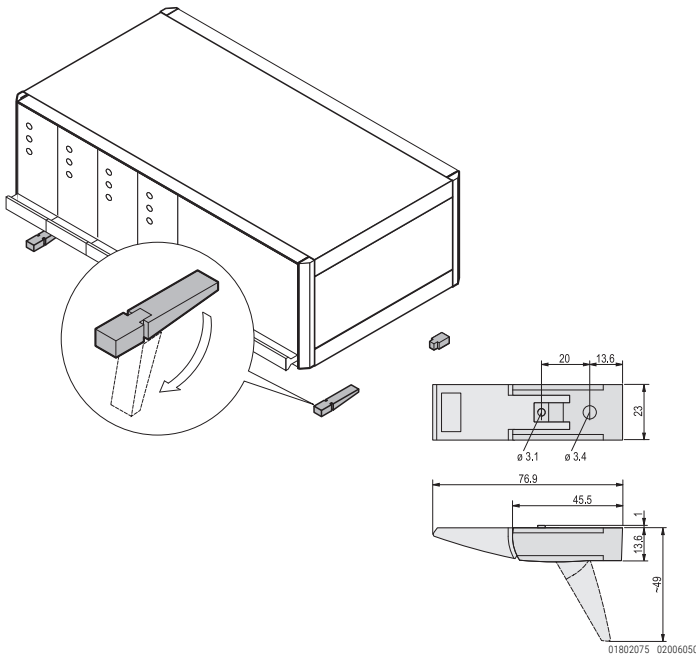


Desk-top cases – CompacPRO

PLASTIC TIP-UP FEET



- Static load-carrying capacity 25 kg per foot
- Tip-up feet can be used instead of the case feet fitted as standard
- Fixing holes provided in bottom of case

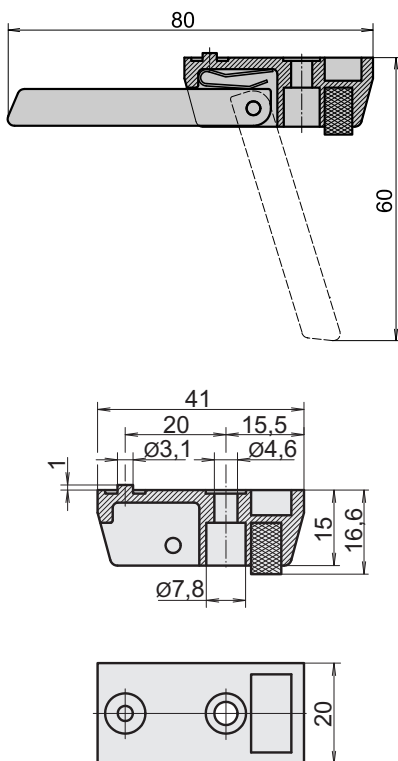
DELIVERY COMPRISES (kit)

Item	Qty	Description
1	4	Foot, PA, UL 94 V-0
2	4	Anti-slip protection, TPE
3	2	Tip-up device, PA, UL 94 V-0
4	1	Assembly kit

ORDER INFORMATION

Description	RAL 7016 anthracite	RAL 9006 silver
	Part no.	Part no.
Plastic tip-up foot	20603-002	20603-001

AL DIE-CAST TIP-UP FOOT



- Static load-carrying capacity 50 kg per foot
- Tip-up feet can be used instead of the case feet fitted as standard
- Fixing holes provided in bottom of case

ORDER INFORMATION

Description	Qty	Part no.
Foot without tip-up, Al die-cast, silver	1 piece (SPQ 10) ¹⁾	10603-001
Foot with tip-up, Al die-cast, silver	1 piece (SPQ 10) ¹⁾	10603-002

Accessories

Cheesehead screw with slot M4 × 12, St, zinc-plated, PU 100 pieces	21101-211
Hexagon nut M4, St, zinc-plated, PU 100 pieces	21100-211
Spring washer A4, St, zinc-plated, PU 100 pieces	21100-207

1) Delivery is exclusively in Standard Pack Quantity (SPQ):
Please order at least 10 pieces or a multiple. Pricing is per individual item.