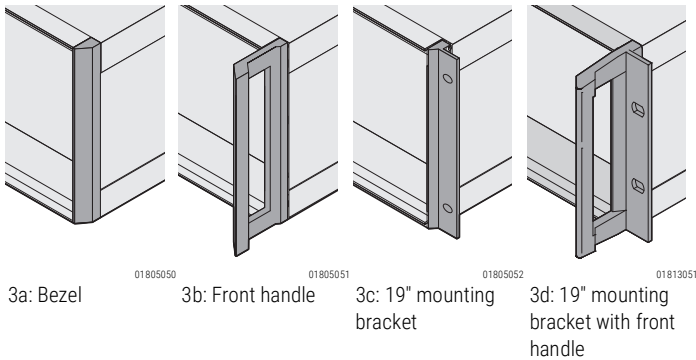


Desk-top cases – RatiopacPro

RATIOPACPRO CASE



- Cases for individual assembly with 19" standard components or specific internal mounting, e.g. with mounting plate
- Unshielded (EMC shielding retrofittable)
- Symmetrical design, identical front and rear side
- Four versions:
 - Bezels
 - Front handles
 - 19" mounting brackets
 - 19" mounting brackets with front handles
- For board depth 160 mm, 220 mm, 280 mm, and 340 mm (depending on case depth)

DELIVERY COMPRISES (kit)

| Item | Qty | Description |
|------|-----|---|
| 1 | 2 | Side panel, Al, 2 mm, chromated |
| 2 | 2 | Side plate, Al, 1 mm, visible surfaces powder-coated, RAL 9006 |
| 3 | 2 | Rear trim, Al die-cast, powder-coated, RAL 7016 |
| 3a | 2 | Bezel, Al die-cast, powder-coated, RAL 7016 |
| 3b | 2 | Front handle, Al die-cast, powder-coated, RAL 7016 |
| 3c | 2 | 19" mounting bracket, Al diecast, powder-coated, RAL 7016 |
| 3d | 2 | 19" mounting bracket with front handle, Al diecast, powder-coated, RAL 7016 |
| 4 | 4 | Horizontal rail, type H-LD, Al, visible surfaces powder-coated, RAL 7016 |
| 11 | 2 | Top cover and base plate, Al, 1 mm, inner sides conductive, visible surfaces powder-coated, RAL 9006, with GND/earthing connections, base plate with honeycomb grid ventilation |
| 12 | 4 | Case foot with anti-slip protection, UL 94 V-0, PC black |
| 13 | 1 | Fixing materials kit |

3a, 3b, 3c or 3d according to selection

NOTE

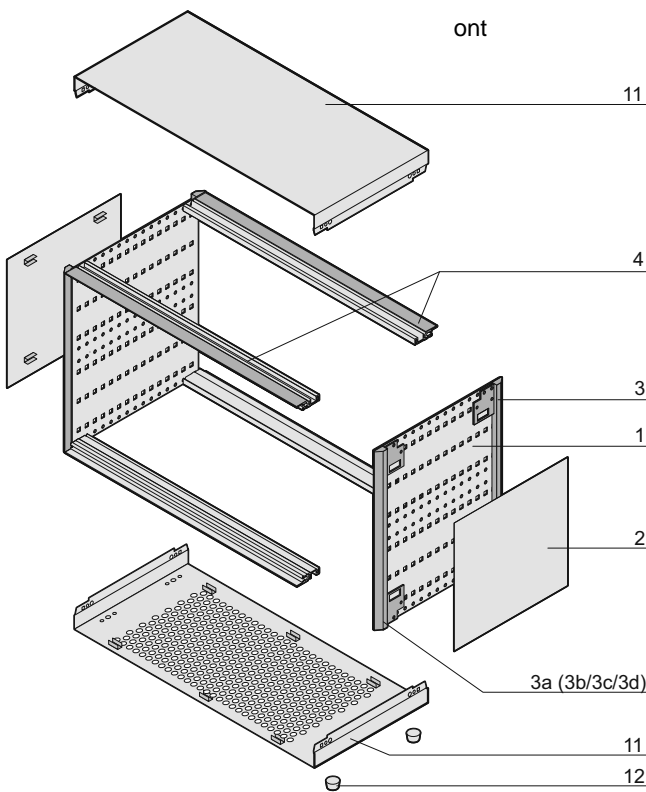
- Order information, see following page
- Horizontal rail at front bottom (3U + 4U) and bottom and top (6U) with perforation.
Prepared for IEEE applications (insertion- / extraction handles).

ORDER INFORMATION

| Accessories | Part no. |
|---|------------------|
| Earthing kit CU wire, 1.5 mm ² , PVC sleeve, green/yellow, 1 kit | 24571-380 |



| | |
|--|------------------|
| Plastic tip-up foot silver, similar to RAL 9006, PU 4 pieces | 20603-001 |
| Plastic tip-up foot anthracite, similar to RAL 7016, 4 pieces | 20603-002 |
| Stacking aid silver, similar to RAL 9006, PA, UL 94 V-0, PU 4 pieces | 20603-004 |
| Stacking aid anthracite, similar to RAL 7016, PA, UL 94 V-0, PU 4 pieces | 20603-003 |



Drawing with front cover strip



Tip-Up Foot



Stacking Aid