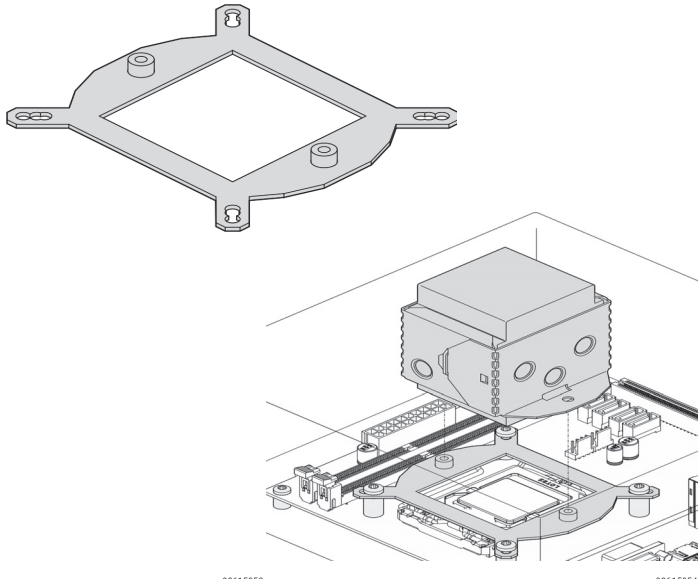


Small Form Factor Cases – Interscale

MOUNTING BRACKETS FOR 70 MM FHC



Bracket for Intel

Application: Intel mounting bracket

- Designed to secure the 70 mm Flexible Heat Conductor to PCB
- Utilizes keep out zones to not interfere with other board components
- Designed for ATX/ITX/Mini ITX & COM using Intel core-i processors and AMD processors with the following sockets: Intel: LGA775, LGA1150, LGA1155, LGA1156, LGA1366, LGA2011
AMD: AM2, AM2(+), AM3, AM3(+), FM1, FM2, FM2(+)

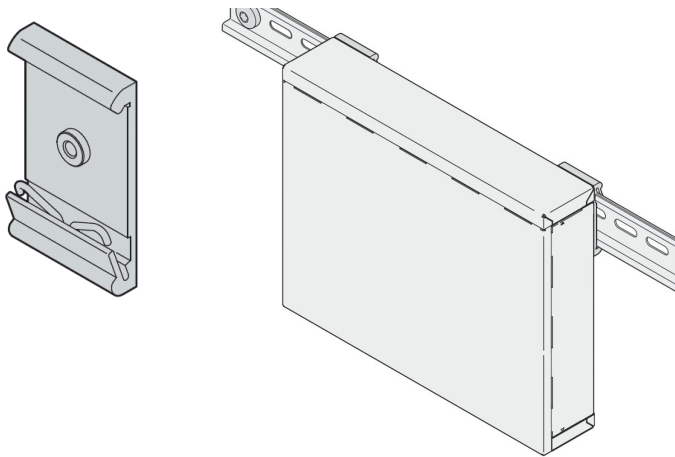
DELIVERY INCLUDES (assembled)

Item	Qty	Description
1	1	Mounting bracket with associated hardware

ORDER INFORMATION

Description	Part no.
Intel mounting brackets for 70 mm FHC	24830-002
AMD mounting brackets for 70 mm FHC	24830-003

CLIP FOR HORIZONTAL RAIL MOUNTING



Example: Clip for horizontal rail mounted on case

- The clip can be used to fix the case to a horizontal rail
- The clip is bolted to the case instead of the feet and can then be fitted onto the rail

DELIVERY INCLUDES

Item	Qty	Description
1	2	Clip, Al profile, clear anodized, width 30 mm, 52 mm, snap mounting for 35 mm DIN rails EN 50022; M4 self-clinching nut
2	2	Screw, T20, M4 x 6
3	1	User manual

ORDER INFORMATION

Description	Qty/PU piece	Part no.
Clip for horizontal rail mounting	2	24820-002

NOTE

- Not compatible with embedded NUC cases or Interscale 19" cases

RUBBER FEET



02615020

- Toolless installation; secures via adhesive
- Compatible with all Interscale cases

DELIVERY INCLUDES (assembled)

Item	Qty	Description
1	4	Rubber feet, height 2.2 mm, Ø 7.9 mm

ORDER INFORMATION

Description	Part no.
Rubber feet	21102-025