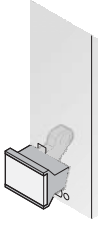
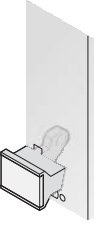
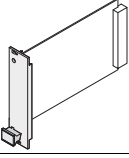
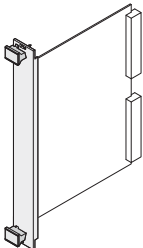


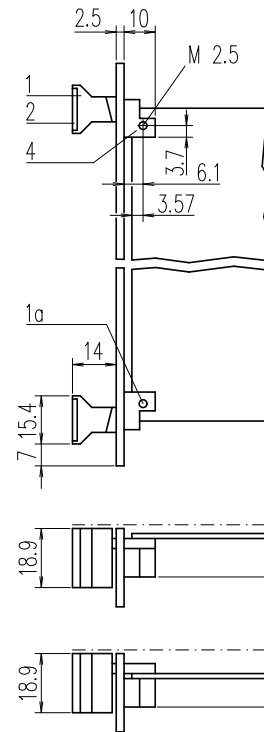
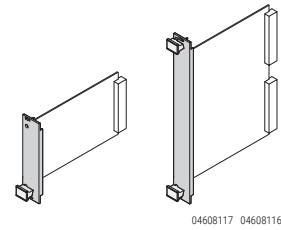
# Plug-in units – for VME

**INDIVIDUAL COMPONENTS**

## TRAPEZIFORM EXTRACTOR HANDLES, TYPE 1

### ORDER INFORMATION

	Trapeziform extractor handle	
	black	grey
		
	04608093	04608094
	<p>handle closed laterally, PPE, UL 94 V-1, black; pivot bush; identification plate, Al, 1.5 mm, anodised, cut edges plain; board support die-cast zinc; in the 6 U version, space can be created for SMD components on the left side by swapping the top and bottom handles and thus moving the PCB position 1 HP to the right</p>	
Width HP	1 piece (SPQ 10) <sup>1)</sup>	1 piece (SPQ 10) <sup>1)</sup>
	<b>3 U Height top</b>	
	20817-329	20817-327
	<b>6 U Height top</b>	
	20817-330	20817-328
	bottom	
	20817-329	20817-327



1) SPQ (standard pack quantity): Part number includes 1 piece, but delivery is exclusively made in standard pack quantity (SPQ); please order at least the SPQ quantity or a multiple

bga42556