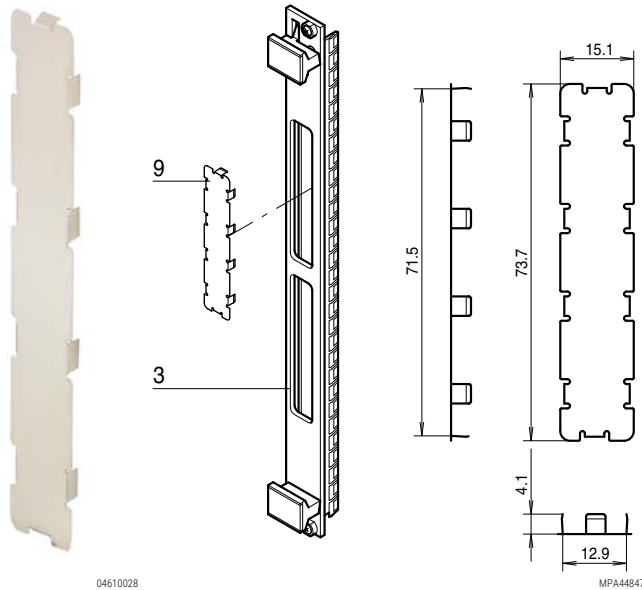


Modules – Front panels

PMC CUTOUT COVER FOR EMC PROTECTION



04610028 Item 9: EMC cover; Item 3: front panel

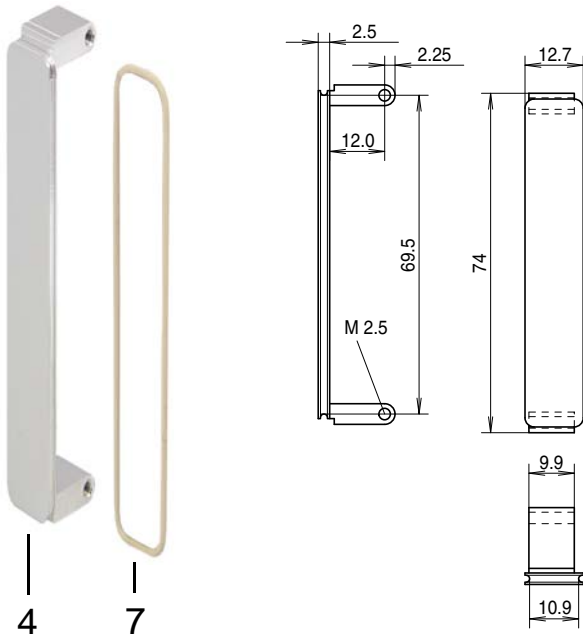
- EMC cover to close unused cut-outs in the PMC mezzanine front panels
- Material stainless steel, 0.2 mm
- Colour: black or bright

ORDER INFORMATION

| Colour | Qty | Part no. |
|--------|------------------|------------------|
| Black | 1 piece (SPQ 10) | 60835-024 |
| Bright | 1 piece (SPQ 10) | 60835-022 |

Delivery is exclusively made in Standard Pack Quantity (SPQ): Please order at least 10 pieces or a multiple. Pricing is per individual item.

PMC BEZEL FOR MEZZANINE FRONT PANELS



04610029

mpa44846

- Mezzanine front panel is fitted into PMC front panel cut-outs; EMC shielding with conductive O-ring
- Material:
 - Aluminium extrusion (anodised, contact surfaces conductive)
 - Zinc die-cast (untreated, black or chrome-plated, matt)

DELIVERY COMPRISES (kit)

| Item | Qty | Description |
|------|-----|--|
| 4 | 1 | PMC bezel for mezzanine front panel, Zn die-cast or Al extrusion |
| 7 | 1 | EMC gasket (O-ring), Cho-Seal |

ORDER INFORMATION

| PMC mezzanine front panel | Qty/PU | with EMC gasket | without EMC gasket |
|---|--------|------------------|--------------------|
| Material | | Part no. | Part no. |
| Al extrusion, anodised, contact surfaces conductive | 1 | 20835-598 | - |
| Al extrusion, anodised, contact surfaces conductive | 10 | 20835-889 | 20835-899 |
| Zn die-cast, untreated | 1 | 20835-890 | - |
| Zn die-cast, untreated | 10 | 20835-893 | 20835-896 |
| Zinc die-cast, black, chromated | 1 | 20835-922 | - |
| Zinc die-cast, black, chromated | 10 | 20835-924 | 20835-931 |
| Zinc die-cast, chrome-plated, matt | 1 | 20835-923 | - |
| Zinc die-cast, chrome-plated, matt | 10 | 20835-928 | 20835-929 |
| Cheesehead screw M2.5 x 5 mm, PU 100 pieces | | | 21100-624 |
| EMC gasket O-ring, 1 piece (Standard Pack Quantity 10 pieces) | | | 60835-021 |