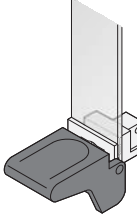
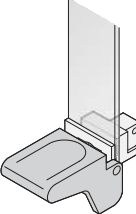
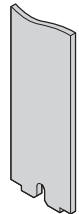
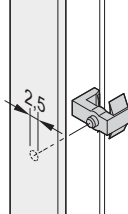
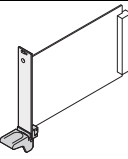
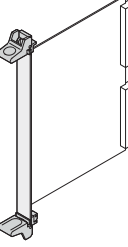


# Plug-in units – for IEC 60297, key form 1

## INDIVIDUAL COMPONENTS

### EXTRACTOR HANDLES IN KEY FORM 1

#### ORDER INFORMATION

	Extractor handle		Front panel	Fixing clip
	black	grey		
				
	04608101	04608102	04608103	bga#2544
	<p>extractor handle in key form 1, PC, UL 94 V-0; bearing Zn die-cast, nickel-plated; slotted cheesehead screw, M2.5 x 6 (fitted); in the 6 U version, space can be created for SMD components on the left side by swapping the top and bottom handles and thus moving the PCB position 1 HP to the right</p>		Al, 2.5 mm; available on request	for fixing PCB to the front panel (blind hole X2.6, depth 1.3 mm); also for SMD applications; clip, PPE, UL 94 V-0, red
Width HP	1 piece (SPQ 10) <sup>1)</sup>	1 piece (SPQ 10) <sup>1)</sup>		PU 100 pieces
	<b>3 U Height bottom</b>			
04608123	<b>20817-345</b>	<b>20817-325</b>	–	–
	<b>6 U Height top</b>			
04608122	<b>20817-346</b>	<b>20817-326</b>	–	<b>21100-719</b>
	bottom			
	<b>20817-345</b>	<b>20817-325</b>	–	
Dimensions see page	7.50	7.50	7.50	

<sup>1)</sup> SPQ (standard pack quantity): Part number includes 1 piece, but delivery is exclusively made in standard pack quantity (SPQ); please order at least the SPQ quantity or a multiple

Part no. includes one packing unit (PU); delivery is exclusively made in PU