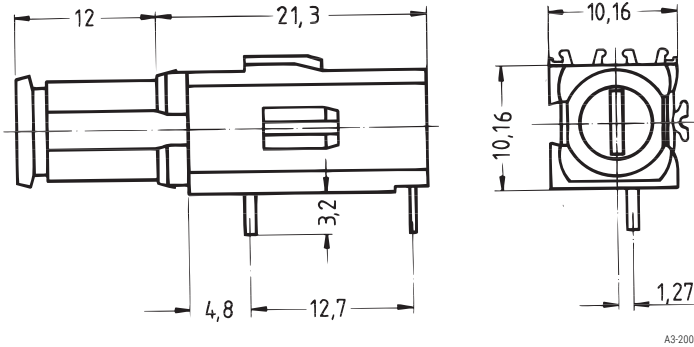


Front panel component system

FUSE HOLDER



- Long type for mounting plane 1
- For glass fuse inserts 5 x 20 mm to DIN 41 571, 250 V_{AC}, 6.3 A
- Contacts silver-plated

ORDER INFORMATION

Description	Part no.
Long type	69004-098

Delivery is exclusively in Standard Pack Quantity (SPQ): Please order at least 10 pieces or a multiple. Pricing is per individual item.

NOTE

- Dimensions of connecting pins: 0.7 x 0.6 mm
- Required front panel drill hole: Ø 9 mm

	Test socket/make-break socket	Double test socket/ double make-break socket	Fuse holder
Operating voltage	≤ 60 V _{DC/AC}	≤ 30 V _{AC}	≤ 250 V _{AC}
Operating current	≤ 1 A	≤ 1 A	≤ 6.3 A
Test voltage	1 kV/50 Hz	1 kV/50 Hz	–
Temperature range	–25 ... +70 °C	–25 ... +70 °C	–25 ... +70 °C
Solder temperature	260 °C/max. 5 sec (processing advice for wave soldering: protect plastic body against solder wave)		
Contact material	Copper alloy	Copper alloy	Copper alloy
Contact surface	Selectively gold-plated	Selectively gold-plated	Silver-plated
Insulating body	PBT (Crastin)	PBT (Crastin)	PBT (Crastin)
Climatic use category	HSF ¹⁾ to DIN 40 040	HSF ¹⁾ to DIN 40 040	HSF ¹⁾ to DIN 40 040
Flammability	UL 94 V-0	UL 94 V-0	UL 94 V-0

¹⁾ H = –25 °C; S = +70 °C; F = 75 % air humidity, no condensation