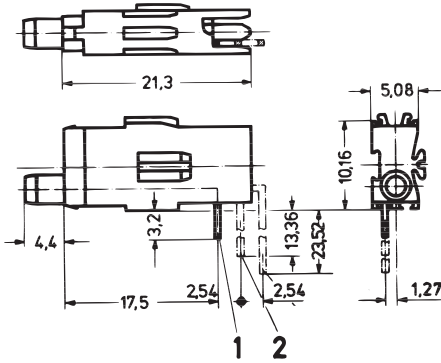


Front panel component system

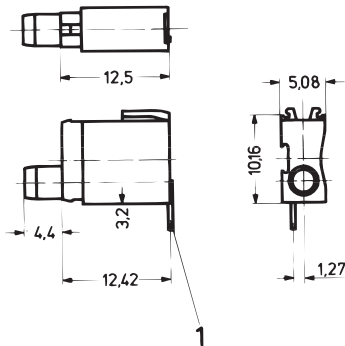
TEST SOCKET, Ø 2 MM

Long type



1, 2 = mounting plane

Short type



1 = mounting plane

- Long type for mounting plane 1, 2
- Short type for mounting plane 1

ORDER INFORMATION

| For application in | 1 | 2 |
|--------------------|------------------|-----------|
| | Part no. | Part no. |
| Long type | 69004-086 | 69004-087 |
| Short type | 69004-130 | - |

Delivery is exclusively in Standard Pack Quantity (SPQ):
Please order at least 10 pieces or a multiple. Pricing is per individual item.

NOTE

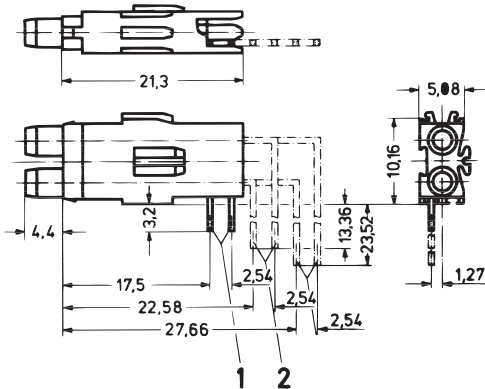
- Dimensions of connecting pins: 0.3 × 0.6 mm
- Required front panel drill hole: Ø 4 mm
- Technical data see page 11.20

A3-199b

KA943

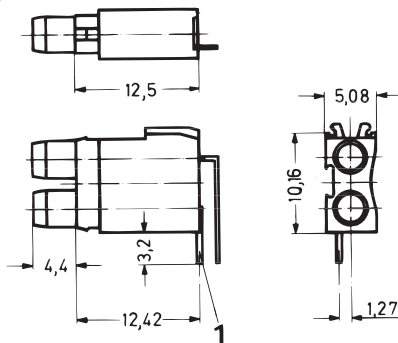
DOUBLE TEST SOCKET, Ø 2 MM

Long type



1, 2 = mounting plane

Short type



1 = mounting plane

- Long type for mounting plane 1, 2
- Short type for mounting plane 1

ORDER INFORMATION

| For application in | 1 | 2 |
|--------------------|------------------|-----------|
| | Part no. | Part no. |
| Long type | 69004-089 | 69004-090 |
| Short type | 69004-131 | - |

Delivery is exclusively in Standard Pack Quantity (SPQ):
Please order at least 10 pieces or a multiple. Pricing is per individual item.

NOTE

- Dimensions of connecting pins: 0.3 × 0.6 mm
- Required front panel drill hole: Ø 4 mm
- Technical data see page 11.20

05009050

05009051