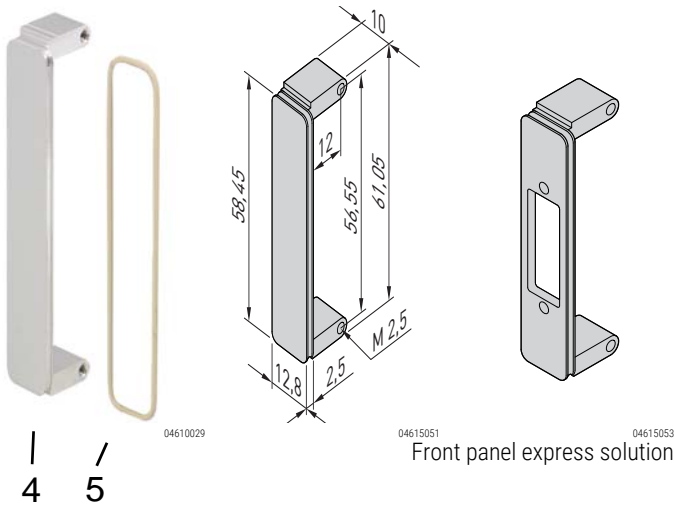


Assemblies – Front panels

EMC BEZEL FOR FMC MEZZANINE FRONT PANEL CUT-OUTS

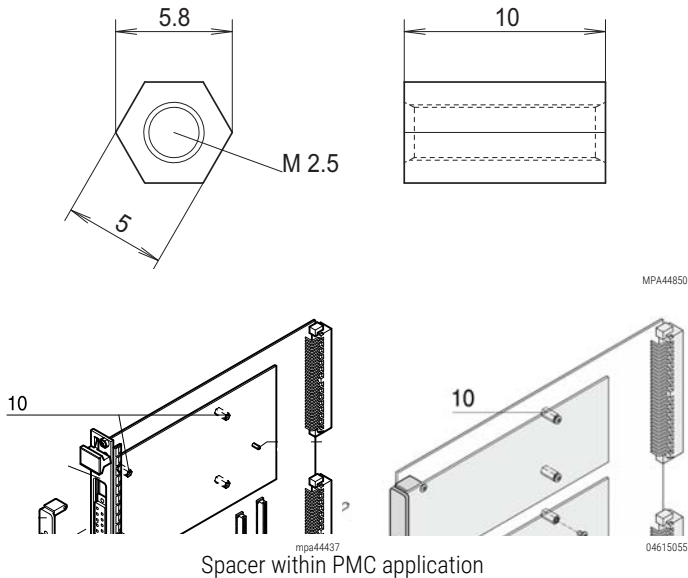


- FMC bezel is fitted into FMC Mezzanine front panel cut-outs
- Material, Al extrusion (anodised, contact surface conductive)
- Shielding for FMC bezels with an optional conductive O-ring, please order separately

ORDER INFORMATION

Description	Item	Qty/PU piece	Part no.
EMC bezel for FMC Mezzanine front panel cut outs	4	10	20835-849
Accessories			
EMC gasket for mezzanine front panel item 5, O-ring, (VITA 57.1), 1 piece (standard pack quantity 10 pieces)			60835-077
Cheesehead screw M2.5 x 5 mm, PU 100 pieces			21100-624

SPACER TO MOUNT PMC AND FMC MEZZANINE BOARDS



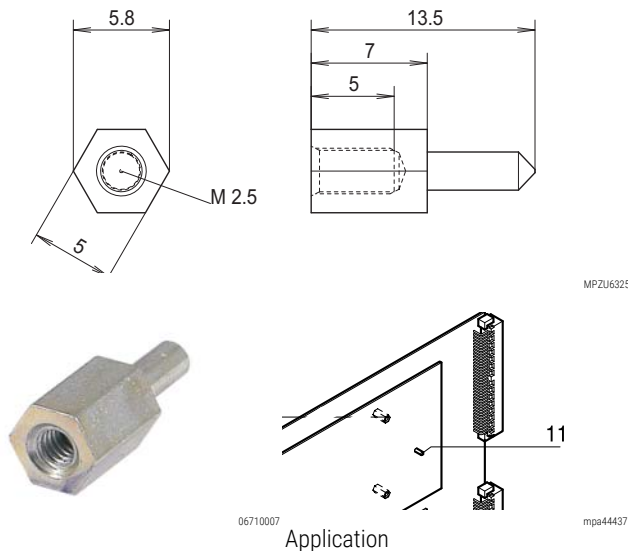
- To provide a standoff between mezzanine boards per the IEEE P1386 or VITA 57.1 specification and the carrier card

ORDER INFORMATION

Description	Item	Material	Qty	Part no.
Spacer	10	St, zinc-plated	1 piece (SPQ 10)	60897-278

Delivery is exclusively made in Standard Pack Quantity (SPQ): Please order at least 10 pieces or a multiple. Pricing is per individual item.

VOLTAGE KEYING/CODING PIN FOR PMC MEZZANINE BOARDS



- To prevent accidental damage when fitting mezzanine boards, keying/coding pins are bolted to the VMEbus boards to distinguish between 3.3 V and 5 V operation. The mezzanine boards have a hole drilled in the appropriate position. The keying/coding pin thus ensures that only mezzanine boards with the same operating voltage can be inserted. For double-height euroboards 2 pieces are required.

ORDER INFORMATION

Description	Item	Material	Qty	Part no.
Keying/coding pin 5 V/3.3 V	11	St, zinc-plated	1 piece (SPQ 10)	60827-026

Delivery is exclusively made in Standard Pack Quantity (SPQ): Please order at least 10 pieces or a multiple. Pricing is per individual item.