

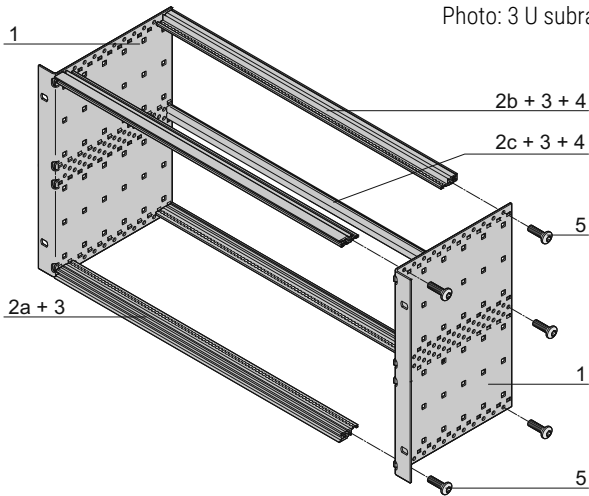
Subracks – EuropacPRO

KIT, "LIGHT", UNSHIELDED, FOR BACKPLANE MOUNTING



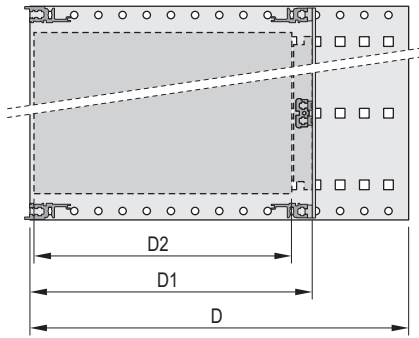
134592760

Photo: 3 U subrack



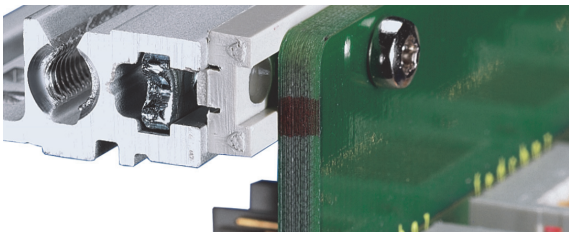
6 U

06111056



D = overall depth, D1 = insertion depth,
D2 = board depth = D1 - 15 mm

06108051



04400001

Rear horizontal rail for backplane mounting with insulation strip

- Subrack with side panel type L ("light") with firmly fixed 19" brackets
- Rear horizontal rails for backplane mounting with insulation strip
- Installed load up to 7.5 kg
- Cost-optimised

DELIVERY COMPRISES (Kit)

Item	Qty	Description	
	3 U	6 U	
1	2	2	Side panel type L, Al, 2 mm, passivated, with built-in 19" support bracket
2a	2	2	Front horizontal rail (L-KD)
2b	2	2	Rear horizontal rail (L-ST)
2c	-	1	Rear horizontal rail centre (ST)
3	4	6	Threaded insert, front and rear (pre-fitted)
4	2	4	Insulation strip (pre-fitted)
5	1	1	Fixing material kit, user manual

ORDER INFORMATION

Height U	Width HP	Depth D mm	Depth D1 mm	Part no.
3	84	175	175	24564-131
3	84	235	175/235	24564-132
3	84	295	175/235/295	24564-133
6	84	175	175	24564-431
6	84	235	175/235	24564-432
6	84	295	175/235/295	24564-433

Accessories

19" assembly kit (screw, washer, nut) (8 x screws, 8 x plastic washers, 8 x cage nuts)	21100-435
Trims for side panels Type (19" angle) type L, 3 U, packaging unit 1 piece	34561-197
Trims for side panels Type (19" angle) type L, 6 U, packaging unit 1 piece	34561-497
Sleeves PPO, black, to fix top cover to side panel, PU 100 pieces	21100-565
Collar screw with slot M6 x 16, St, nickel-plated, PU 100 pieces	21100-566

Guide rails (standard), ESD clips

Depth D2 mm	Qty/PU piece	Part no.
160	10	24568-361
220	10	24568-362
280	10	24568-379
ESD clips for guide rails PU 50 pieces		24560-255

Cover plates for insertion in horizontal rails (type L)

Depth D2 mm	Width HP	Qty/PU piece	Part no.
160	84	2	24561-051
220	84	2	24561-052

NOTE

- Subrack is not prepared for shielding