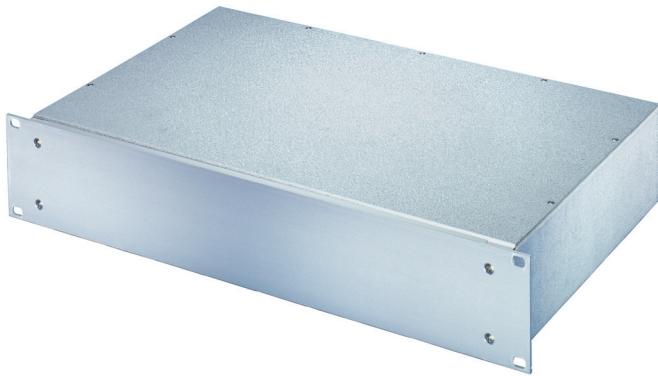


19" chassis – MultipacPRO

19" COMPLETE CHASSIS FROM STEEL WITH PLAIN TOP COVER AND BASE PLATE



06002003

- Complete chassis, St (AlZn coated) with Al extrusion front panel
- Detachable rear panel for easy machining
- EMV shielding approx. 20 dB(A) at 1 GHz without additional shielding; > 40 dB(A) at 1 GHz with optional EMC gasketing
- In accordance with standard IEC 60297-3-101
- In the 1 U version 19" and ATX power supplies can be assembled up to a clearance of 40 mm

DELIVERY COMPRISES (Kit)

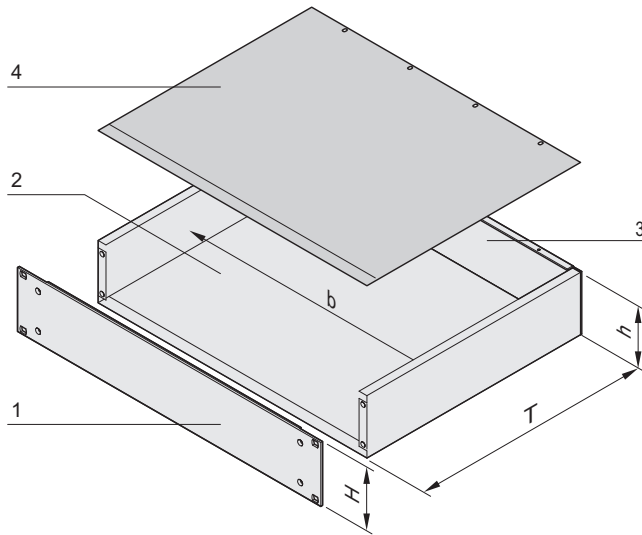
Item	Qty	Description
1	1	Front panel, Al extrusion, 3 mm; in 1 U: front anodised, rear etched; from 2 U: front and rear side of front panels clear passivated
2	1	Base body, plain, St, 1 mm, (AlZn coated)
3	1	Rear panel, St, 1 mm (AlZn coated)
4	1	Cover, plain, St, 1 mm (AlZn coated)
5	1	Assembly kit

ORDER INFORMATION

Height U	Height H mm	Depth T mm	Part no.
1	43.7	220	20860-120
1	43.7	280	20860-121
1	43.7	340	20860-122
2	88.1	280	20860-126
2	88.1	340	20860-127

Accessories

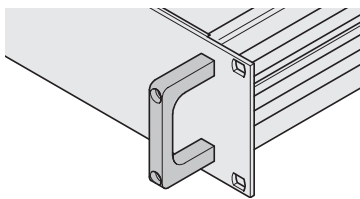
Front handles incl. assembly kit for 1 U, Al extrusion, anodised, PU 2 pieces	20860-256
Front handles incl. assembly kit for 2 U, Al extrusion, anodised, PU 2 pieces	20860-257
EMC sealing to close the gap at the front between case and front panel, 2 saw tooth gaskets, stainless steel, PU 1 piece	20860-132
Assembly tool, Screw driver Torx20 for M4 screws	64560-027



06002051

h = clear height (overall) (H - 3.0 mm)
width = 447 mm

b = clear installation



06002052

Front handle

NOTE

- Further versions with steel front panel (pizza box) available on request
- Telescopic slides cannot be used
- No special EMC version available
- Standardised internal mounting kits cannot be used