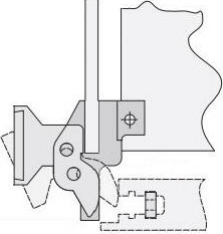




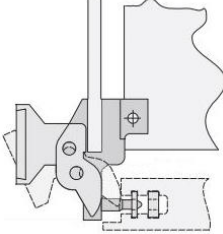
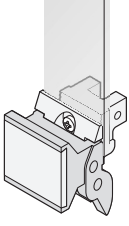
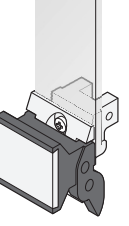
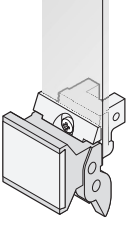
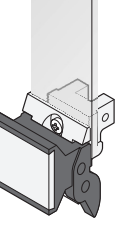
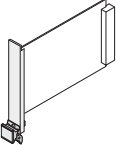
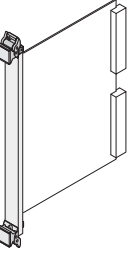


Plug-in units – for VME

INDIVIDUAL COMPONENTS

EXTRACTOR HANDLE, TRAPEZIFORM, TYPE 2

ORDER INFORMATION

	Trapeziform extractor handle, type 2 without alignment pin		Trapeziform extractor handle, type 2 with alignment pin	
	lever, light grey, RAL7035	lever, black, RAL 9005	lever, light grey, RAL 7035	lever, black, RAL 9005
<p>without alignment pin</p> 				
<p>with alignment pin</p> 				
	<p>Extractor handle, PC; UL 94 V0, EN 45545-2, R22 - R24; HL 3 Block, die-cast zinc, zinc-plated; identification plate, Al, 1.5 mm, anodised, cut edges plain; Pozidrive flat-head screw, M2.5 x 6, nickel-plated; slotted Pozidrive collar screw, M2.5 x 12.3, St, nickel-plated</p>		<p>Extractor handle, PC; UL 94 V0, EN 45545-2, R22 - R24; HL 3 Block, die-cast zinc, zinc-plated; identification plate, Al, 1.5 mm, anodised, cut edges plain; Pozidrive flat-head screw, M2.5 x 6, nickel-plated; slotted Pozidrive collar screw, M2.5 x 12.3, St, nickel-plated</p>	
Width HP	1 piece (SPQ 10) ¹⁾	1 piece (SPQ 10) ¹⁾	1 piece (SPQ 10) ¹⁾	1 piece (SPQ 10) ¹⁾
 <p>04608114</p>	3 U Height bottom			
	20817-858	20817-856	20817-833	20817-831
 <p>04608115</p>	6 U Height top			
	20817-858	20817-856	20817-833	20817-831
	bottom			
	20817-858	20817-856	20817-833	20817-831
Dimensions see page	7.43		7.43	

1) SPQ (standard pack quantity): Part number includes 1 piece, but delivery is exclusively made in standard pack quantity (SPQ); please order at least the SPQ quantity or a multiple

Part no. includes one packing unit (PU); delivery is exclusively made in PU