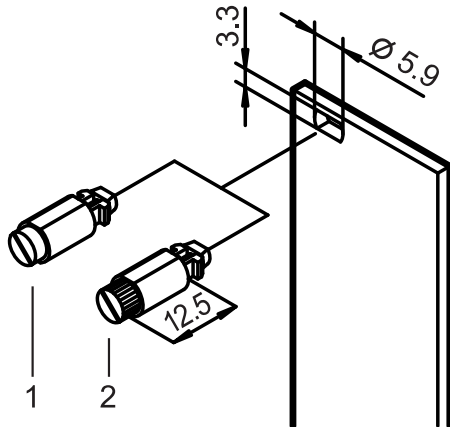


# Modules – Assembly parts

## QUICK-RELEASE FASTENERS



06702062

- Vibration and shock proof
- 1/4 rotary lock with defined stop
- Detection of fastening position through slot position

### DELIVERY COMPRISES

Qty	Description
1	Locking pin, St, locking, Zn die-cast
1	Press-in sleeve, POM

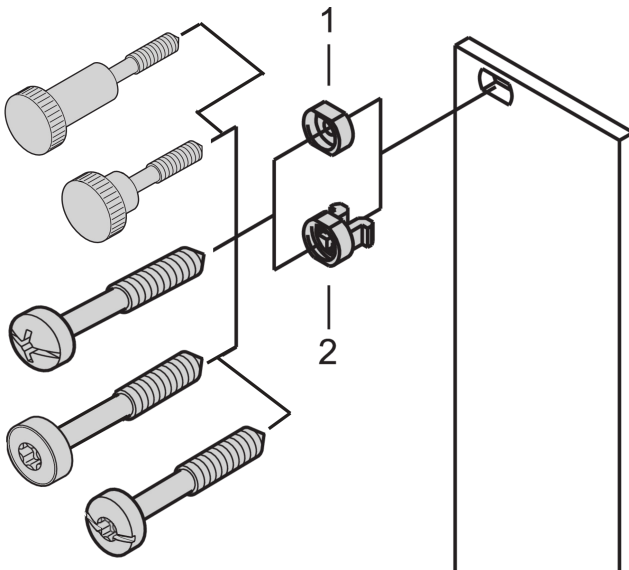
### ORDER INFORMATION

Item	Description	Qty/PU	Part no.
1	With slotted head, grey	100	<b>21101-847</b>
1	With slotted head, black	100	<b>21101-848</b>
2	With knurled and slotted head, grey	100	<b>21101-849</b>
2	With knurled and slotted head, black	100	<b>21101-850</b>

### NOTE

Quick-release fasteners: mounting without threaded insert

## SLEEVES



### ORDER INFORMATION

Item	Description	Application	Qty/PU pieces	Part no.
2	Plastic sleeve, PA, grey	for unshielded front panels	100	<b>21100-464</b>
2	Plastic sleeve, PA, black	for unshielded front panels	100	<b>21100-591</b>
1	Metal sleeve, brass, nickel-plated	for shielded front panels	10	<b>21100-659</b>
1	Metal sleeve, brass, nickel-plated	for shielded front panels	100	<b>21100-660</b>
1	Metal sleeve, brass, black	for shielded front panels	10	<b>21100-885</b>
1	Metal sleeve, brass, black	for shielded front panels	100	<b>21100-886</b>
1	Metal sleeves, stainless steel	for shielded front panels	10	<b>21100-661</b>
1	Metal sleeves, stainless steel	for shielded front panels	100	<b>21100-662</b>

### NOTE

- Metal sleeves must be pressed-in into front panels
- Sleeve does not fit 2 HP wide front panels