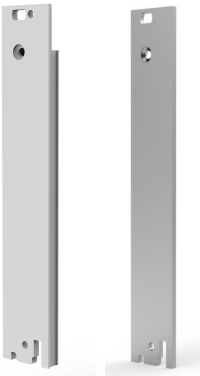
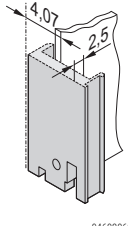
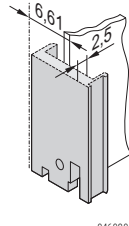
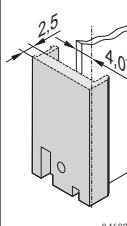
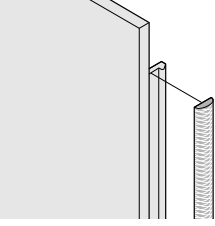
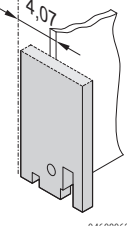
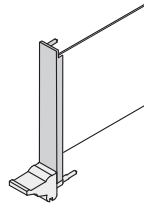
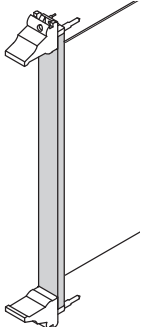


# Modules – for CompactPCI, VME64x

INDIVIDUAL COMPONENTS

FRONT PANELS, U-PROFILES, FOR EXTRACTOR HANDLES, TYPE IEL, IET

## ORDER INFORMATION

	Front panel, U profile, shieldable			Textile EMC gasket		Front panel, flat, unshielded, front mounting	
	Front mounting	Front mounting, PCB fixing with 0.1" offset	Rear I/O mounting				
 <p>U-Profile Front panel    Flat Front panel</p>	 <p>04608060</p>	 <p>04608062</p>	 <p>04608061</p>	 <p>BGA45760</p>	 <p>04608063</p>		
	Al extrusion, 2.5 mm, front anodised, rear conductive; alignment pin pressed-in (3 U only), stainless steel; manufacturing process causes various surface structures to appear between 4 to 12 HP and 14 to 16 HP			always fixed laterally on the front panel, in the groove of the profile, textile gasket, core: foam, sleeve: textile cladding with CuNi coating, UL 94 V-0, temperature range -40 ... 70 °C		front panel, Al, 2.5 mm, front anodised, rear iridescent green chromated	
	1 piece (SPQ 5) <sup>1)</sup>	1 piece (SPQ 5) <sup>1)</sup>	1 piece (SPQ 5) <sup>1)</sup>	PU 10 pieces	PU 100 pieces	1 piece (SPQ 5) <sup>1)</sup>	
<b>3 U Height</b>							
 <p>04608067</p>	4	<b>30848-312</b>	<b>30848-426</b>	<b>30848-867</b>		<b>30848-327</b>	
	5	<b>30848-300</b>	<b>30848-427</b>	–		<b>30848-328</b>	
	6	<b>30848-313</b>	<b>30848-428</b>	–		<b>30848-329</b>	
	7	<b>30848-301</b>	<b>30848-429</b>	–		<b>30848-330</b>	
	8	<b>30848-314</b>	<b>30848-430</b>	<b>30848-869</b>		<b>30848-331</b>	
	9	<b>30848-299</b>	–	–	<b>21101-853</b>	<b>21101-854</b>	–
	10	<b>30848-315</b>	<b>30848-431</b>	–		<b>30848-333</b>	
	11	<b>20848-228</b>	–	–		–	
	12	<b>30848-316</b>	<b>30848-432</b>	<b>30848-985</b>		<b>30848-335</b>	
	14	<b>20848-230</b>	–	–		–	
16	<b>20848-232</b>	–	–		–		
<b>6 U Height</b>							
 <p>04608066</p>	4	<b>30848-317</b>	<b>30848-317</b>	<b>30848-317</b>		<b>30848-336</b>	
	5	<b>30848-304</b>	<b>30848-304</b>	<b>30848-304</b>		<b>30848-337</b>	
	6	<b>30848-318</b>	<b>30848-318</b>	<b>30848-318</b>		<b>30848-338</b>	
	7	<b>30848-305</b>	<b>30848-305</b>	<b>30848-305</b>		<b>30848-339</b>	
	8	<b>30848-319</b>	<b>30848-319</b>	<b>30848-319</b>		<b>30848-340</b>	
	9	<b>30848-999</b>	<b>30848-999</b>	<b>30848-999</b>	<b>21101-855</b>	<b>21101-856</b>	–
	10	<b>30848-320</b>	<b>30848-320</b>	<b>30848-320</b>		<b>30848-342</b>	
	11	<b>20848-244</b>	<b>20848-244</b>	<b>20848-244</b>		–	
	12	<b>30848-321</b>	<b>30848-321</b>	<b>30848-321</b>		<b>30848-344</b>	
	14	<b>20848-246</b>	<b>20848-246</b>	<b>20848-246</b>		–	
16	<b>20848-248</b>	<b>20848-248</b>	<b>20848-248</b>		–		
Fixing material see page	7.27	7.27	7.27			7.27	
Dimensions see page	7.30	7.30	7.29			7.31	

<sup>1)</sup> SPQ (standard pack quantity): Part number includes 1 piece, but delivery is exclusively made in standard pack quantity (SPQ); please order at least the SPQ quantity or a multiple

Part no. includes one packing unit (PU); delivery is exclusively made in PU