

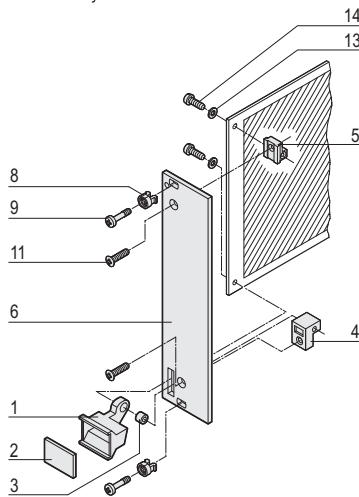
Plug-in units – for VME

KITS



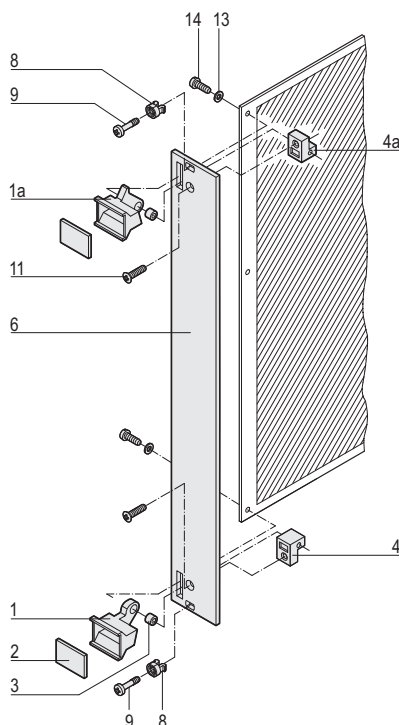
Remark: Delivery do not include the PCB

3 U



04602060

6 U



04602061

PLUG-IN UNITS WITH TRAPEZIFORM EXTRACTOR HANDLE, TYPE 1 – FRONT PANEL UNSHIELDED

- At 6 U the board position can be offset by 1 HP to the right by swapping the top and bottom board supports; thus space is created for SMD components on the left (solder) side; for board thickness 1.6 mm only

- Plastic Material:
UL 94 V0, EN 45545-2, R22 - R24, HL3

DELIVERY COMPRISES (kit)

Item	Qty		Description
	3 U	6 U	
1	1	1	Extractor handle, trapezium shape, PC, grey (RAL7035), bottom
1a	-	1	Extractor handle, trapezium shape, PC, grey (RAL7035), top
2	1	2	Identification plate, Al, 1.5 mm, anodised, cut edges plain
3	1	2	Pivot bush, Ms
4	1	1	Board support, die-cast zinc, bottom
4a	-	1	Board support, die-cast zinc, top
5	1	-	Board support, die-cast zinc
6	1	1	Front panel for trapeziform extractor handle, front anodised, rear iridescent green chromated
8	2	2	Sleeve, PA, grey, up to 7 HP front panel width
8	4	4	Sleeve, PA, grey, from 8 HP front panel width
9	2	2	Collar screw, Pozidrive/slot, St, nickel-plated, M2.5 x 12.3, front panel width up to 7 HP
9	4	4	Collar screw, Pozidrive/slot, St, nickel-plated, M2.5 x 12.3, front panel width from 8 HP
11	1	2	Raised countersunk panhead screw, M2.5 x 8
13	2	2	Washer, A2.7, DIN 125
14	2	2	Pozidrive flathead screw, St, nickel-plated, M2.5 x 10

ORDER INFORMATION

Width HP	3 U		6 U	
	Part no.	Part no.	Part no.	Part no.
4	20817-443	20817-448		
5	20817-444	20817-449		
6	20817-445	20817-450		
7	20817-446	20817-451		
8	20817-447	20817-452		
10	20817-456	20817-458		
12	20817-457	20817-459		

NOTE

- Dimension front panel see page 7.49