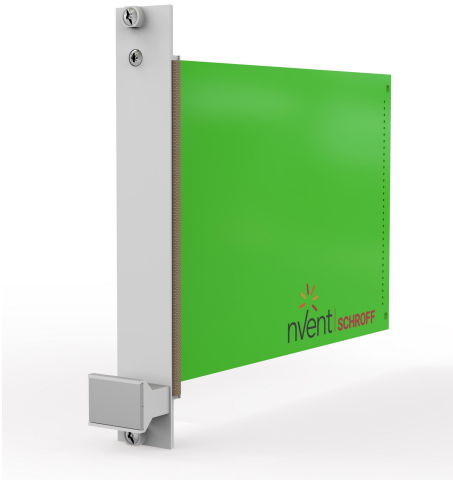


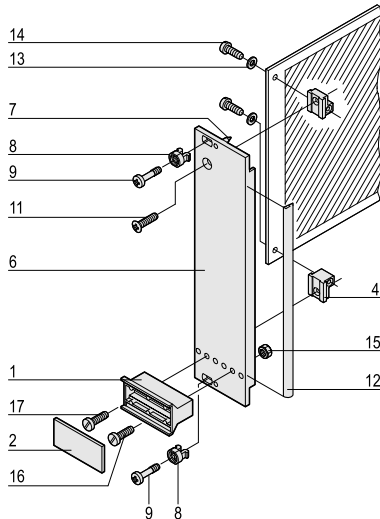
# Plug-in units – for IEC 60297, trapeziform

## KITS



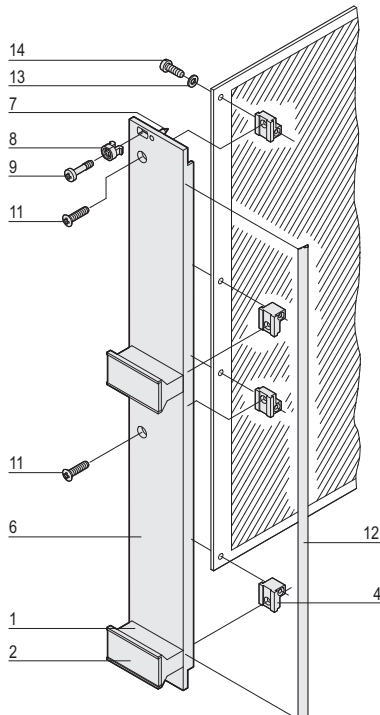
Remark: Delivery do not include the PCB

3 U



04602052

6 U



0402063

## PLUG-IN UNIT WITH STATIC TRAPEZIFORM HANDLE

- Front panel, U-profile, shielded
- Handle without extraction function
- **Plastic Material:**  
UL 94 V0, EN 45545-2, R22 - R24, HL3

### DELIVERY COMPRISES

Item	Qty		Description
	3 U	6 U	
1	1	2	Plastic handle, trapeziform, PC, grey (RAL 7035)
2	1	2	Identification plate, Al, 1.5 mm, anodised, cut edges plain
4	2	4	Board support, die-cast zinc
6	1	1	Front panel, U profile, for trapeziform handle, front anodised, rear conductive
7	2	2	Alignment pin, pressed-in, stainless steel
8	2	2	Sleeve, PA, grey, up to 7 HP front panel width
8	4	4	Sleeve, PA, grey, from 8 HP front panel width
9	2	2	Pozidrive/slotted collar screw, St, nickel-plated, M2.5 x 12.3, front panel width up to 7 HP
9	4	4	Pozidrive/slotted collar screw, St, nickel-plated, M2.5 x 12.3, front panel width from 8 HP
11	1	2	Raised countersunk screw, St, nickel-plated, M2.5 x 8
12	1	1	EMC sealing (textile)
13	2	4	Washer, A2.7, DIN 125
14	2	4	Pozidrive flathead screw, St, nickel-plated, M2.5 x 10
15	1	2	Hexagon nut, St, nickel-plated, M2.5
16	1	2	Pozidrive flathead screw, St, nickel-plated, M2.5 x 12
17	1	2	Pozidrive flathead screw, St, nickel-plated, M2.5 x 16

### ORDER INFORMATION

Width HP	3 U	6 U
	Part no.	Part no.
3	<b>20848-663</b>	20848-671
4	<b>20848-664</b>	<b>20848-672</b>
5	<b>20848-665</b>	<b>20848-673</b>
6	<b>20848-666</b>	<b>20848-674</b>
7	<b>20848-667</b>	20848-675
8	<b>20848-668</b>	<b>20848-676</b>
10	<b>20848-669</b>	<b>20848-677</b>
12	<b>20848-670</b>	20848-678