

# Plug-in units – for CompactPCI, VME64x

## KITS

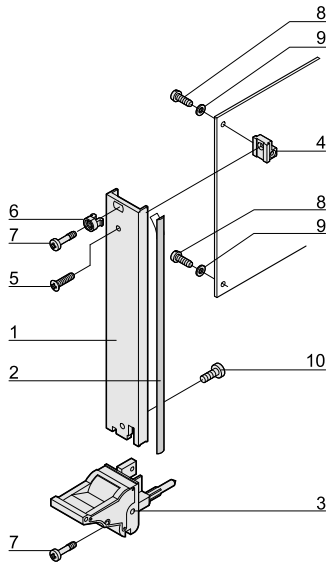


3U, Front Assembly

3U, Rear I / O

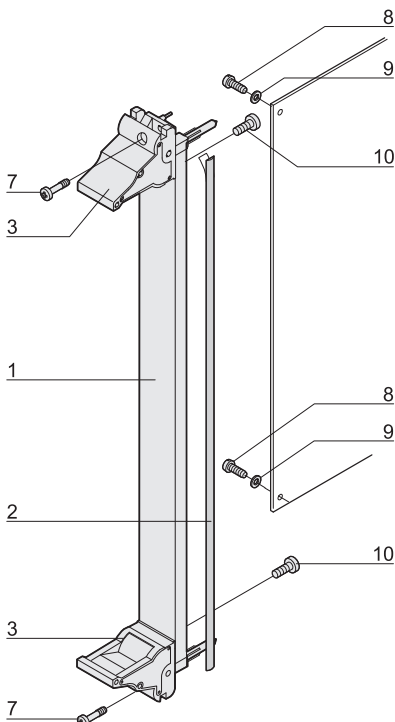
Remark: Delivery do not include the PCB

3U



04602073

6 U



04602074

## PLUG-IN UNITS WITH IEL INSERTER/EXTRACTOR HANDLE FOR COMPACTPCI/VME64X APPLICATIONS

- In accordance with IEEE 1101.10 and IEC 60297-3-102
- Codable to IEC 60297-3-103/ IEEE 1101.10
- Front panel shielded
- Suitable for insertion and extraction forces up to 700 N (per pair)
- Suitable for fitting microswitches
- **Plastic Material:**  
UL 94 V0, EN 45545-2, R22 - R24, HL3

### DELIVERY COMPRISES (kit)

Item	Qty				Description
	3 U		6 U		
	<8HP	≥8HP	<8HP	≥8HP	
1	1	1	1	1	Front panel (U profile), Al, front anodised, rear conductive
2	1	1	1	1	EMC sealing (textile), core: foam, sleeve: textile cladding, CuNi coated
3	1	1	2	2	Handle with integrated alignment pin for perforated strips and guide rails, lever: plastic, PC, black, RAL 9005 key: plastic, PC, light grey, RAL 7035
4	1	1	-	-	Board support, die-cast zinc
5	1	1	-	-	Raised Pozidrive countersunk screw M2.5 x 8, St, nickel-plated
6	1	3	-	2	Sleeve, PA, grey
7	2	4	2	4	Pozidrive collar screw, M2.5 x 12.3, St, nickel-plated
8	2	2	2	2	Panhead screw with Torx/slot, M2.5 x 6, St, zinc-plated, self-locking
9	2	2	2	2	Washer A2.7, DIN 125, St, nickel-plated
10	1	1	2	2	Panhead screw with Torx, M2.5 x 7, St, nickel-plated

### ORDER INFORMATION

Width	Part no.	Part no.
HP	Rear I/O	Front assembly

#### 3 U Height

4	<b>20848-751</b>	<b>20848-585</b>
6	-	<b>20848-587</b>
8	<b>20848-752</b>	<b>20848-589</b>
10	-	<b>20848-590</b>
12	-	<b>20848-591</b>

#### 6 U Height

4	-	<b>20848-592</b>
6	-	<b>20848-594</b>
8	-	<b>20848-596</b>
10	-	<b>20848-597</b>
12	-	<b>20848-598</b>

#### Accessories

Microswitch for handles, CompactPCI/VME64x application PU 10 pieces	<b>20817-606</b>
--	------------------

- Dimension drawing of front profile see page 7.30
- Description of microswitch see page 7.35