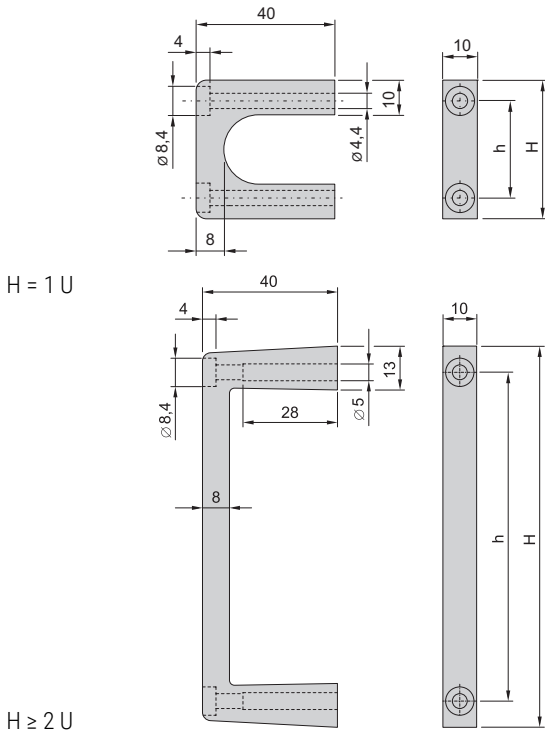


# Desk-top cases – Accessories

## FRONT HANDLE, ONE-PIECE, WIDTH 10 MM



H = 1 U

H ≥ 2 U

- Static load-carrying capacity 30 kg/pair
- Bolted from front

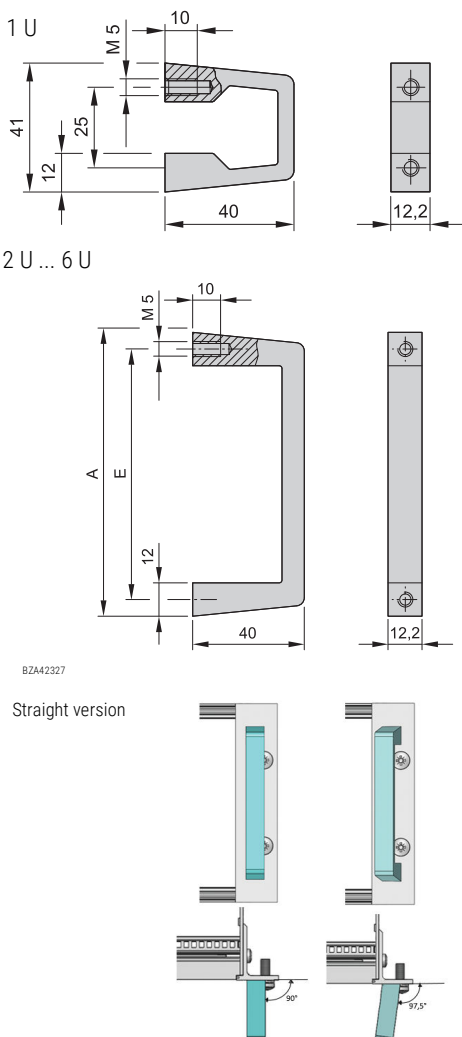
### DELIVERY COMPRISES (kit)

Item	Qty	Description
1	2	Front handle, Al extrusion, anodised
2	1	Assembly kit

### ORDER INFORMATION

Height H U	Height H mm	Height h mm	Part no.
1	40	28	<b>20860-256</b>
2	69	53	<b>20860-257</b>
3	113	97.5	<b>20860-258</b>
4	157.45	141.9	<b>20860-259</b>
5	201.9	186.4	<b>20860-260</b>

## FRONT HANDLE, ONE-PIECE, WIDTH 12.2 MM



1 U

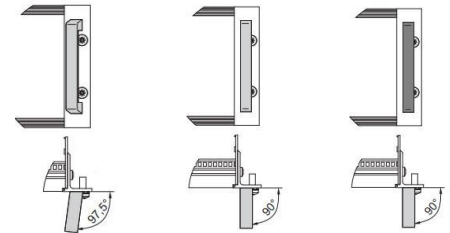
2 U ... 6 U

- Static load-carrying capacity 30 kg/pair
- Bolted from rear
- Angled version for easy access to screws

### DELIVERY COMPRISES

Item	Qty	Description
1	1	Front handle, Al extrusion, anodised

### ORDER INFORMATION



U	A mm	E mm	clear anodised Angled Ver Part No.	Straight version Part No.	black anodised Straight version Part No.
1	41	25	–	<b>10501-116</b>	–
2	57.5	44.5	–	<b>10501-016</b>	–
3	102	88	<b>10501-020</b>	<b>10501-005</b>	<b>10501-026</b>
4	132	120	–	<b>10501-006</b>	<b>10501-027</b>
	146.4	133.4	<b>10501-021</b>	<b>10501-018</b>	–
5	194	180	–	<b>10501-007</b>	<b>10501-028</b>
6/9	249	235	<b>10501-022</b>	<b>10501-008</b>	<b>10501-029</b>

### Accessories

Panhead pozidrive screw self-locking, M5 x 12, zinc-plated, PU 100 pieces	<b>21100-788</b>
Torx countersunk screw M5 x 12, zinc-plated, 100 pieces	<b>24560-183</b>

Delivery is exclusively in Standard Pack Quantity (SPQ):  
Please order at least 10 front handles or a multiple. Pricing is per individual item.

**NOTE:** Please order panhead screws separately