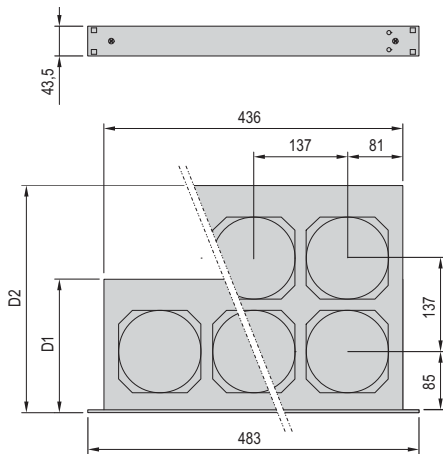


Climate control – 19" fan trays

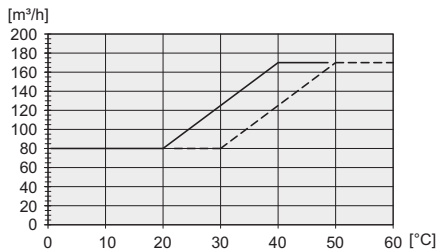
19" FAN 1 U, WITH SPEED CONTROL AND FUNCTION MONITORING



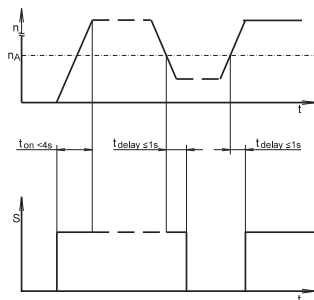
Photo shows 19" fan unit with 3 fans, without switch



Airflow capacity with one fan



Monitoring signal



n = rotating speed, S = signal, n_A = speed threshold value "Alarm"

- Low noise through temperature dependent airflow volume
- Range selectable: 20 ... 40 °C and 30 ... 50 °C
- External sensor, at sensor breakage max speed will be set automatically
- Function control with LEDs and via potential-free contact
- Contact protection in accordance with DIN EN ISO 13857
- 2 versions, 24 V_{DC} or 230 V_{AC}



DELIVERY COMPRISES (ready for connection)

Item	Qty	Description
1	1	19" circulation fan, 1 U; cover/base plate, St, 1 mm, finish Al-Zn, with perforation front panel 1 U, Al, 3 mm, anodised
2	3 / 6	DC fan, see Order information
3	1	Connecting cable, length 2.5 m, open-ended
4	1	Temperature sensor for speed control, NTC resistor, cable length 1.5 m

01198001

ORDER INFORMATION

	24 V _{DC}		230 V _{AC}	
	D	Without switch	D	With switch
	mm	Part No.	mm	Without switch Part No.
D1	193	10713-099	250	19713-121 -
D2	330	10713-098	397	- 19713-006

Accessories

Filter mat, class G 2 for 3 fans, PU 3 pieces	60713-169
Filter mat, class G 2 for 6 fans, PU 3 pieces	60713-170

01107050

TECHNICAL DATA

	86 ... 260 V _{AC} 24 V _{DC} (21 ... 27)	
Number of fans	3	6
Max. airflow volume in m ³ /h	467	895
Noise level in dB(A)	63.5	66.4
Max. stat. pressure in Pa	70	70
Power consumption in W	15.9	31.8 W
Permissible ambient temperature °C	-20 ... +65 °C	
Life in h L ₁₀ 40 °C	70000	

01112050

Technical data Regulation/monitoring

Control range	Changeover switch between 20 ... 40 °C and 30 ... 50 °C
Sensor	External NTC resistor, cable length 1.5 m
Sensor connector	Rear-mounted plug contact, max. rotation speed in case of sensor breakage
Signal at	Speed < 30 % nominal speed; switch-on delay < 4 s, signal delay < 1 s (see monitoring signal)
Signalling	Display via LEDs; potential-free contact (changeover), switching capacity 5 W, max. switching voltage 170 V, open collector on request

ktA43400

- Fan dimensioning see page 4.18