

# ARCA 504021



Sample image

**Order symbol:** ARCA 504021

**Product nbr:** 8120011

**Description:** Cabinet. PC

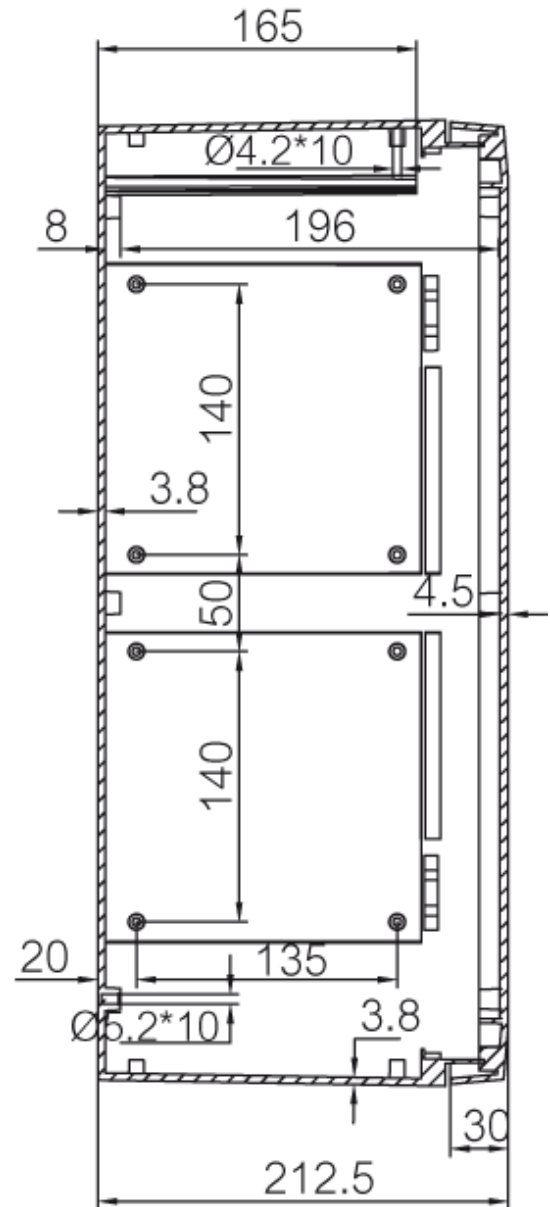
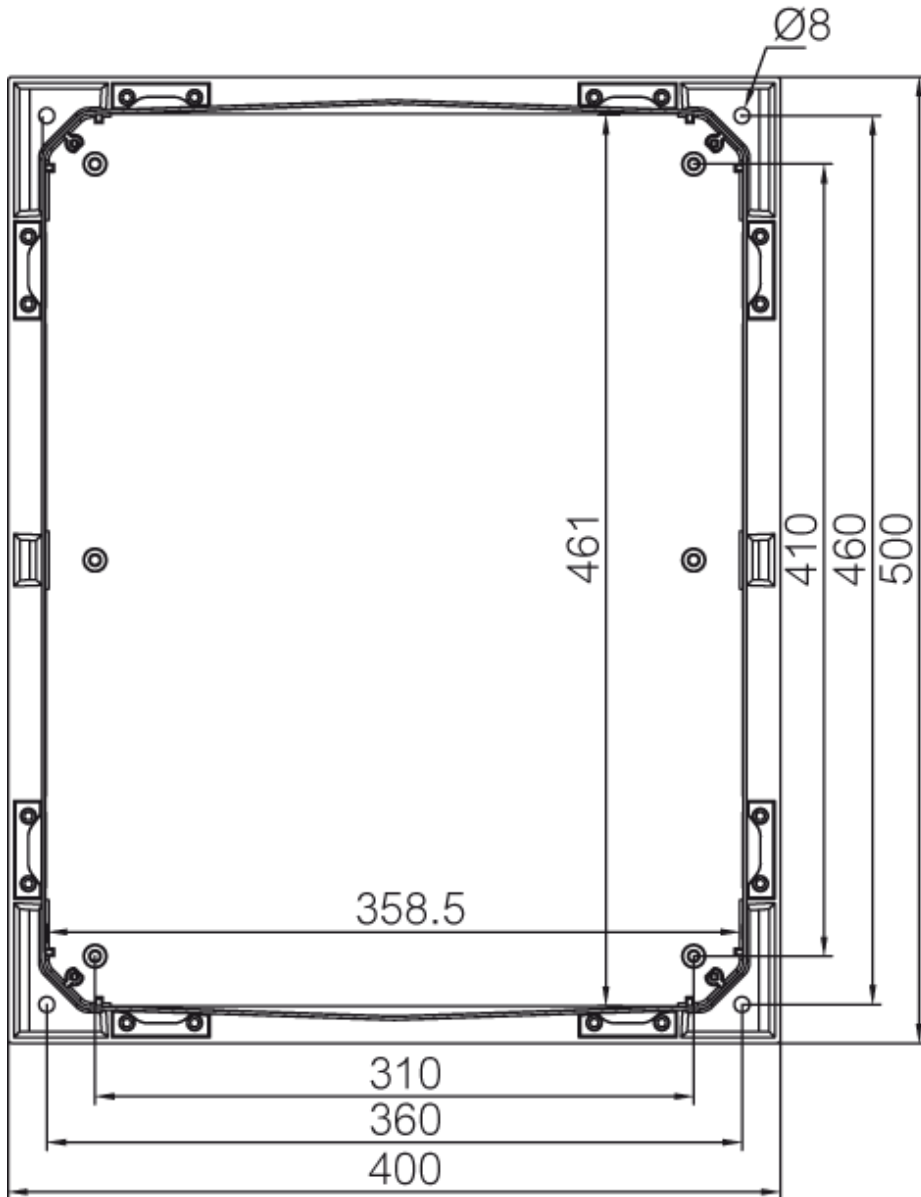
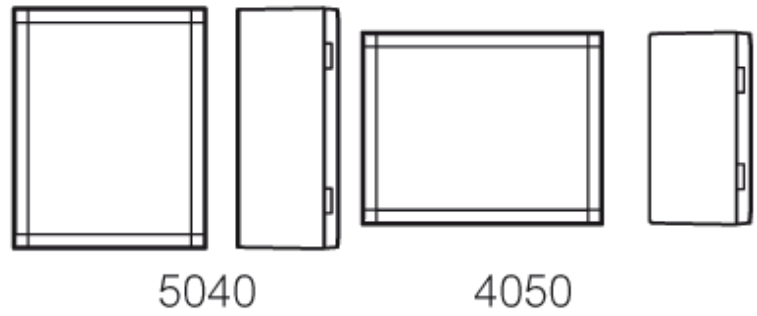
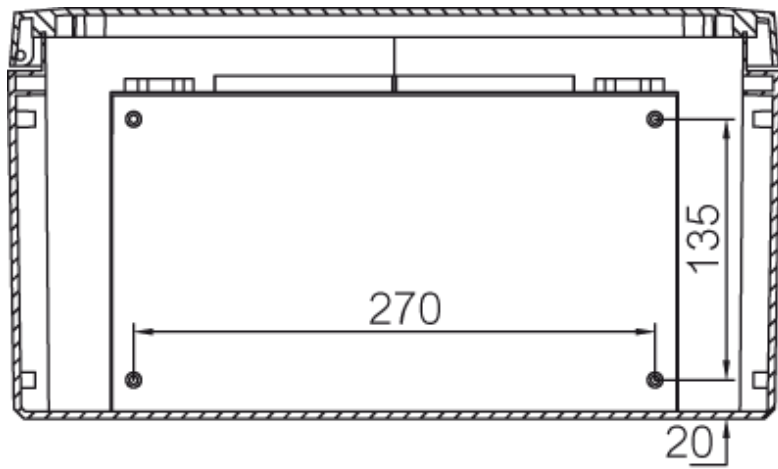
**Remarks:** Grey cover. 2-point locking. hinges on the long side

**EAN:** 6418074079220

**El. number:**

- Finland: 3423099
- Denmark: 8212091090
- Sweden: 2500116

**Including:** Cabinet base. door with PUR gasket. mounting plate. screws for mounting plate. 3mm double bit lock(s) with key. S versions with swinghandle 2-point locking system. Door guide included.



504021

**Dimensions:**

	Height	Width	Depth
mm:	500	400	210
inch:	19.69	15.75	8.58

**Accessories:**

SBK ARCA 50	Support bar kit (435 x 40 x 30)
IDS ARCA 5040	Inner door set (485 x 385 x 35)

**Materials:**

Material:	Polycarbonate
Base colour:	RAL 7035 -light grey
Cover colour:	RAL 7035 -light grey
Gasket material:	Polyurethane

MPX ARCA 5040	Mounting plate (450x350 mm) (450 x 350 x 5)
MPMP ARCA 5040	Mounting plate multiperforated (450x350x2 mm - ø3.6 mm) (450 x 350 x 2)
SBK ARCA 40	Support bar kit (340 x 40 x 30)
MPP ARCA 5040	Mounting plate perforated (450x350x2 mm - 26x11 mm) (450 x 350 x 2)
DRS ARCA 504021	DIN rail frame set (485 x 385 x 35)
PMK ARCA 40	PoleMounting kit. for pole ø100-300mm (385 x 285 x 35)
DSP ARCA VLS	Door stopper ARCA. vertical. left. small
MPS ARCA 5040	Mounting plate (450x350x2 mm) (450 x 350 x 2)
RCS ARCA 5040	Rain canopy set for size 5040 (20 x 400 x 30)
DSP ARCA VRS	Door stopper ARCA. vertical. right. small

**Temperatures:**

Temperature °C (short term)::	-40 ... 120
Temperature °C (continuous):	-40 ... 80
Temperature °F (short term):	-40 ... 250
Temperature °F (continuous):	-40 ... 175

**Rating:**

Ingress protection (EN 60529):	IP66;
Impact Resistance (EN 62262):	IK10;
Electrical insulation:	Totally insulated
Halogen free (DIN/VDE 0472, Part 815):	1
UV resistance:	UL 508
Flammability Rating:	UL 94 5VA
Glow Wire Test (IEC 695-2-1) °C:	960 °C
NEMA Class	NEMA 1, 4, 4X, 12 and 13

**Certificates:**

Certificate FI 40467