

EKPL

Sample image

Order symbol : EKPL

Product nr : 3530316

Description : Base. PC

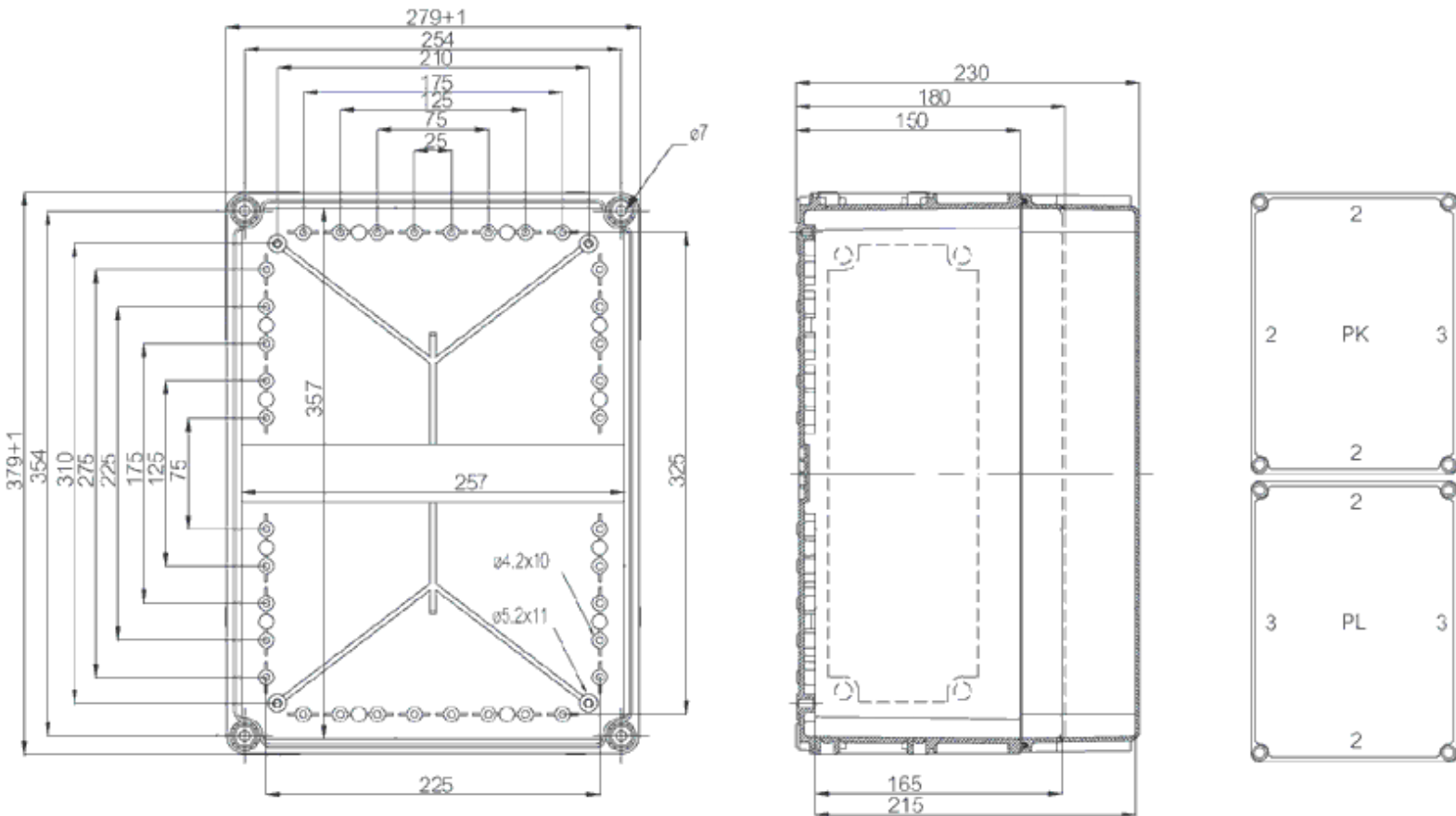
Remarks : Openings, 2x size 2 flange + 2x size 3 flange

EAN : 6418074000118

Including :

El. number :

- Finland : 3420124
- Denmark : 8212006593
- Sweden : 2537820



Dimensions :	Height	Width	Depth
mm :	380	280	150
inch :	14.96	11.02	5.91

Accessories :

- EKV 32 DIN-35 Mounting rail. for enclosures: (335 x 35 x 1)
- EKV 22 DIN-35 Mounting rail. for enclosures: (235 x 35 x 1)
- EKPZR Extension frame. for enclosures:

Materials :

Material :

Base colour :

Cover colour :

Gasket material :

(380 x 280 x 50)

EKPVT

Back Panel. for enclosures:
(338 x 238 x 1)

MPI EKP 3828

Multiperforated plastic mounting plate
(338 x 238 x 4)**Temperatures :**

Temperature °C (short term) :

Temperature °C (continuous) :

Temperature °F (short term) :

Temperature °F (continuous) :

Rating :

Ingress protection (EN 60529):

Impact Resistance (EN 62262):

Electrical insulation :

Not insulated

Halogen free (DIN/VDE 0472, Part 815):

0

UV resistance :

-

Flammability Rating :

Glow Wire Test (IEC 695-2-1) °C :

C

NEMA Class

Certificates :

SGSFIMKO_EK