

EKUM

Sample image

Order symbol : EKUM

Product nr : 3530319

Description : Base. PC

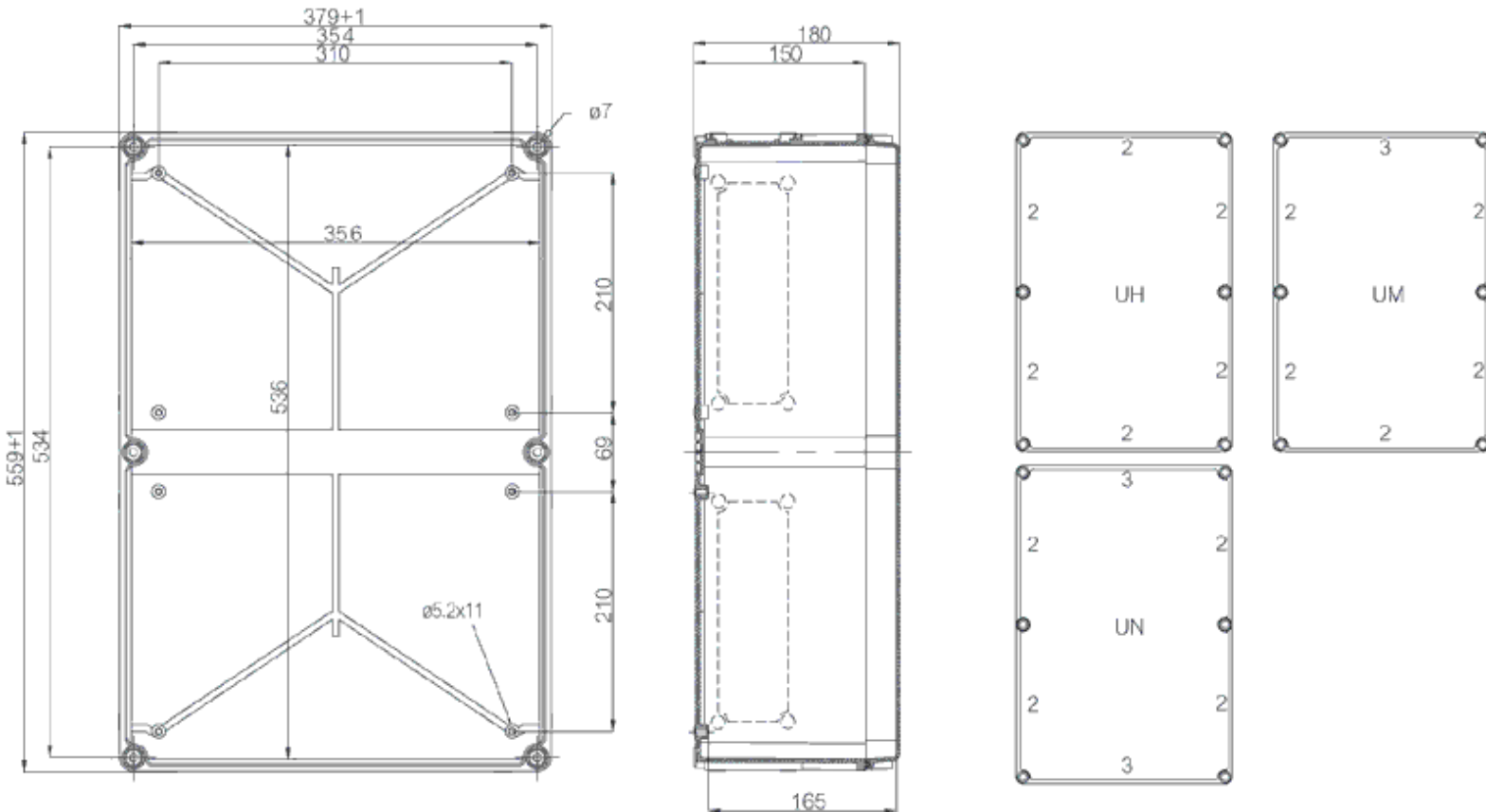
Remarks : Openings, 5x size 2 flange + 1x size 3 flange

EAN : 6418074000149

Including :

El. number :

- Finland : 3420131
- Denmark : 8212006629
- Sweden : 2537826



Dimensions :	Height	Width	Depth
mm :	560	380	150
inch :	22.05	14.96	5.91

Materials :

Accessories :

- EKUVT Back Panel. for enclosures: (518 x 338 x 1)
- EKV 32 DIN-35 Mounting rail. for enclosures: (335 x 35 x 1)
- EKUZR Extension frame. for enclosures: (560 x 380 x 50)

Material :

Base colour :

Cover colour :

Gasket material :

Temperatures :

Temperature °C (short term) :

Temperature °C (continuous) :

Temperature °F (short term) :

Temperature °F (continuous) :

Rating :

Ingress protection (EN 60529):

Impact Resistance (EN 62262):

Electrical insulation :

Not insulated

Halogen free (DIN/VDE 0472, Part 815):

0

UV resistance :

-

Flammability Rating :

Glow Wire Test (IEC 695-2-1) °C :

C

NEMA Class

Certificates :

SGSFIMKO_EK