

# EKHS

Sample image

**Order symbol :** EKHS

**EAN :** 6418074000026

**Including :**

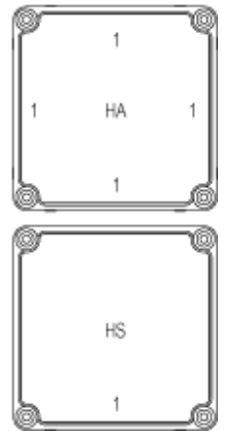
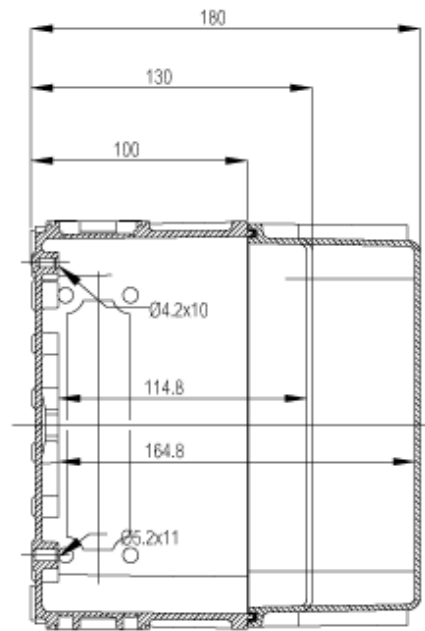
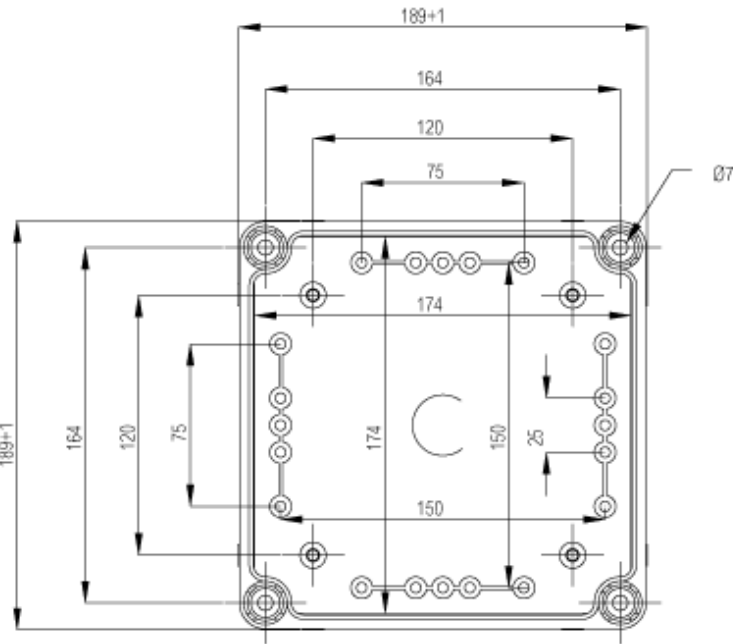
**Product nr :** 3530543

**El. number :**

**Description :** Base. PC

- Finland : 3420101
- Denmark : 8212006519
- Sweden : 2537802

**Remarks :** Openings, 1x size 1 flange



Dimensions :	Height	Width	Depth
mm :	190	190	100
inch :	7.48	7.48	3.94

**Materials :**

Material :  
 Base colour :  
 Cover colour :  
 Gasket material :

**Temperatures :**

Temperature °C (short term) :  
 Temperature °C (continuous) :  
 Temperature °F (short term) :

**Accessories :**

- EKHVT Back Panel. for enclosures: (148 x 148 x 1)
- EKV 12 DIN-35 Mounting rail. for enclosures: (160 x 35 x 1)
- MPI EKH 1919 Multiperforated plastic mounting plate (167 x 167 x 3.6)

**Rating :**

Ingress protection (EN 60529):	
Impact Resistance (EN 62262):	
Electrical insulation :	Not insulated
Halogen free (DIN/VDE 0472, Part 815):	0
UV resistance :	-
Flammability Rating :	
Glow Wire Test (IEC 695-2-1) °C :	C

Temperature °F (continuous) :

NEMA Class

**Certificates :**

SGSFIMKO\_EK