

# FMBSF

Order symbol: FMB SF

EAN:6418074056511

Product nbr: 3550794

**El. number:**

Description: Size 1. Lead-through 8 {02.5-25mm}

- Finland:  
Denmark: 8212009260  
Sweden: 2665510

Remarks: Optional RJ-45 lead-through

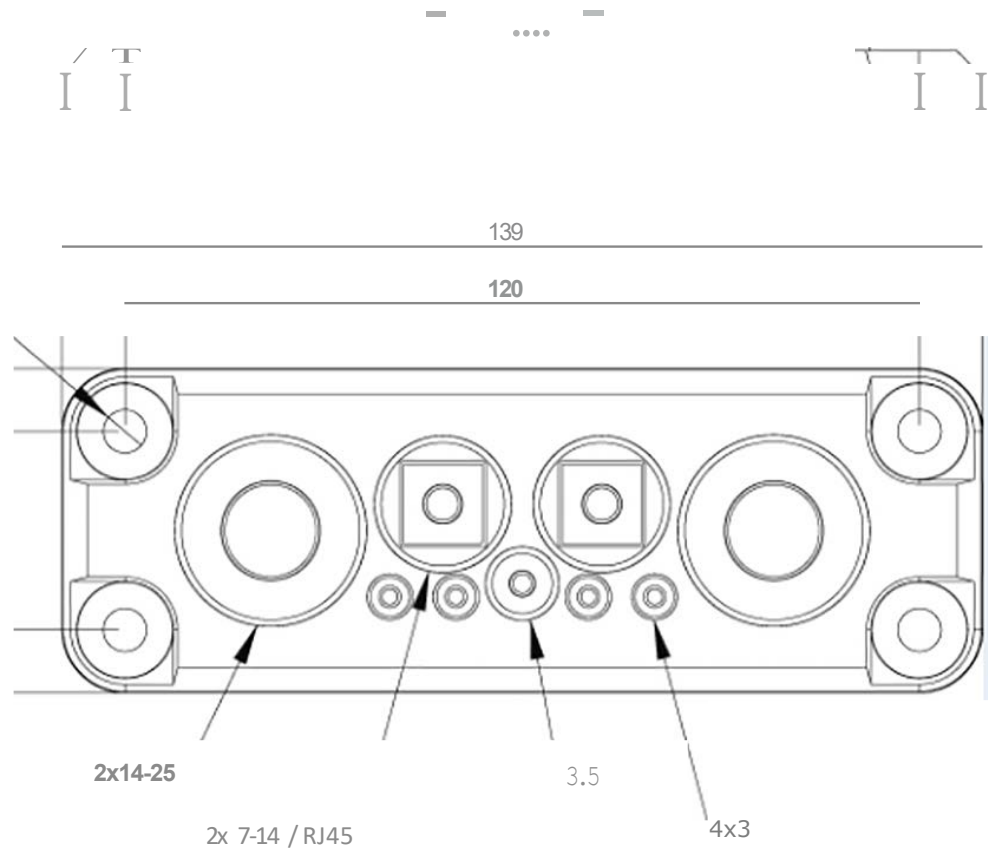


Sample image

Including:

FM B-5F

1.



<b>Dimensions:</b>	length	Width	Height
<b>mm:</b>		49	140
<b>inch:</b>		1.93	5.51

**Materials:**

Material:

**Base colour:**

**Cover colour:**

Gasket material:

**Rating:**

Ingress protection (EN 60529):

Impact Resistance {EN 62262):

**Electrical insulation:**

Not insulated

Halogen free (DINNDE 0472, Part 815):

0

**UV resistance:**

Hammability Rating:

UI94 HB

Glow Wire Test (IEC 695-2-1) °C:

NEMAClass

**Certificates:**

**Temperatures:**

Temperature °C (short term)::

Temperature °C (continuous):

Temperature °F (short term):

Temperature °F (continuous):